

[ END VIEW ]

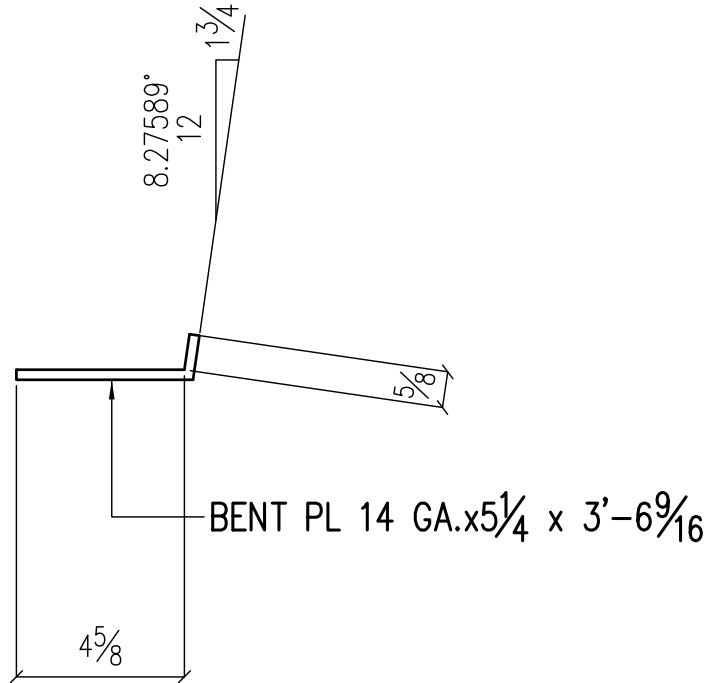
4 BENT PLATES S200M4

STAIR NO. 2

05-06-08

ONE-REQD. AT STAIR S201S1  
 ONE-REQD. AT STAIR S205S1  
 2-REQD. AT STAIR S209S1

<b>IRWIN STEEL</b> <b>15740 Highway 114 ~ Justin, Texas 76247</b> <b>Phone (817) 636-2508 ~ Fax (817) 636-2506</b>		
Job Name: <u>PRESBYTERIAN HOSPITAL OF DALLAS</u>		
Location: <u>DALLAS, TEXAS</u>		
Customer: <u>AUSTIN COMMERCIAL</u>		
Architect: <u>HKS, INC.</u>		
DRAWN: TR	JOB NO: <b>0708</b>	PIECE MARK <b>S200M4</b>
CHECKED: RSD	CAD NO:	



[ END VIEW ]

**10 BENT PLATES S200M6**

STAIR NO. 2

05-06-08

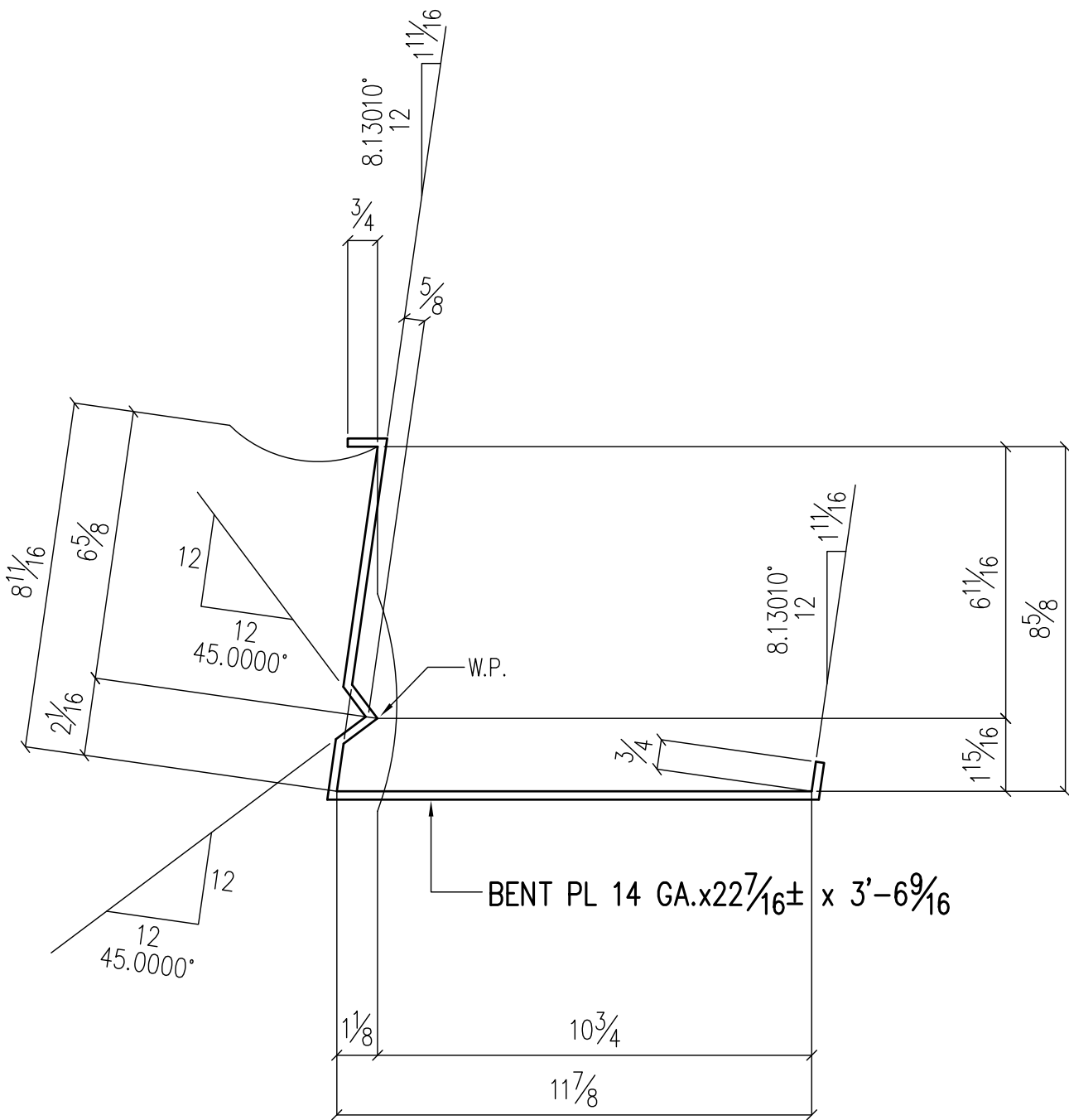
**IRWIN STEEL**

**15740 Highway 114 ~ Justin, Texas 76247  
Phone (817) 636-2508 ~ Fax (817) 636-2506**

Job Name: PRESBYTERIAN HOSPITAL OF DALLAS  
 Location: DALLAS, TEXAS  
 Customer: AUSTIN COMMERCIAL  
 Architect: HKS, INC.

ONE-REQD. AT STAIR S203S2  
 ONE-REQD. AT STAIR S207S2  
 ONE-REQD. AT STAIR S211S2  
 ONE-REQD. AT STAIR S213S2  
 5-REQD. AT STAIR S217S2  
 ONE-REQD. AT STAIR S219S2

DRAWN: TR	JOB NO: <b>0708</b>	PIECE MARK
CHECKED: RSD	CAD NO:	<b>S200M6</b>



BENT PL 14 GA. x 22 7/16 ± x 3' - 6 9/16

[ END VIEW ]

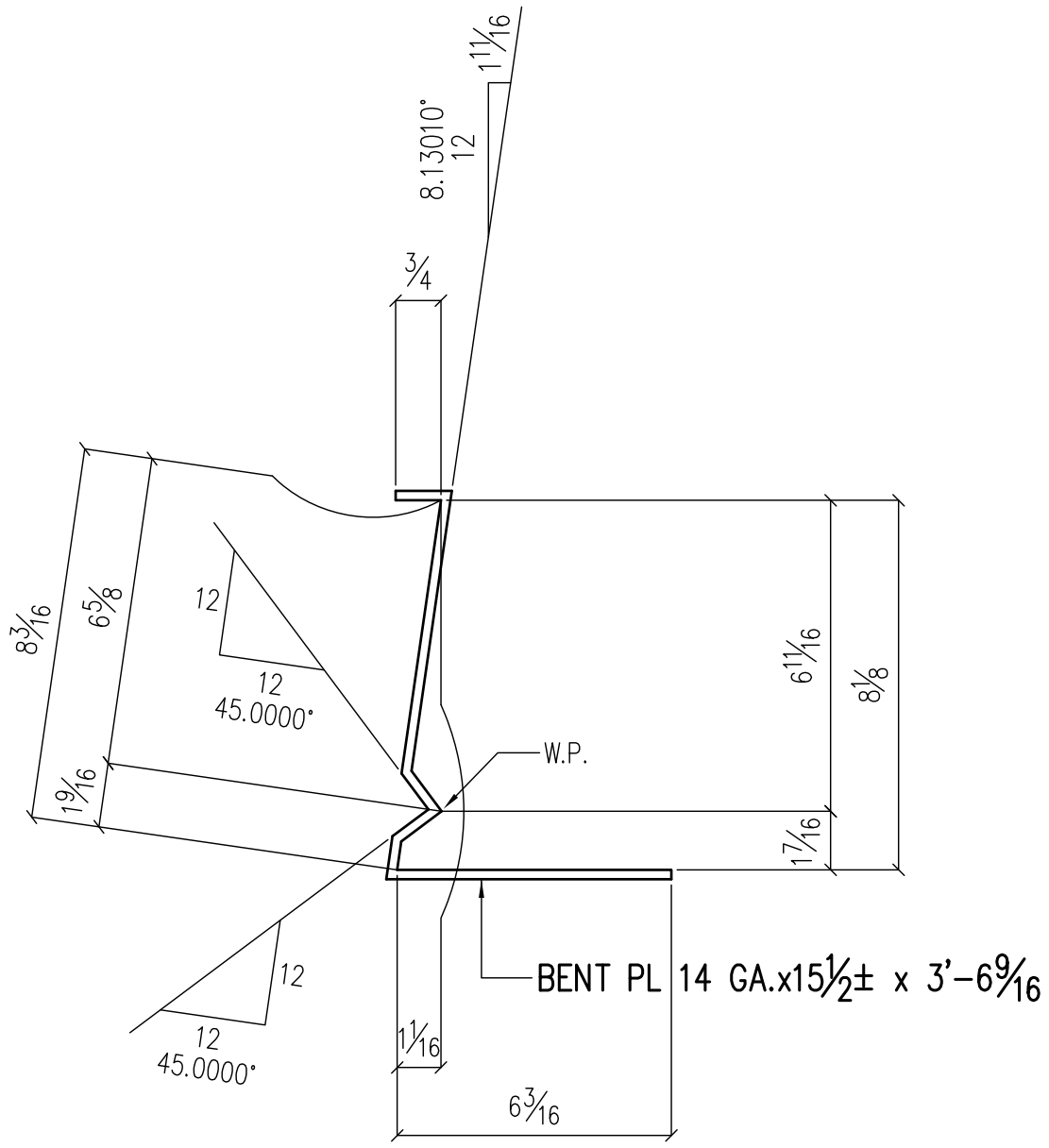
**44 TREADS S200M9**

STAIR NO. 2

05-06-08

22-REQD. AT STAIR S209S1  
 11-REQD. AT STAIR S211S1  
 11-REQD. AT STAIR S213S1

<b>IRWIN STEEL</b>		
15740 Highway 114 ~ Justin, Texas 76247 Phone (817) 636-2508 ~ Fax (817) 636-2506		
Job Name:	PRESBYTERIAN HOSPITAL OF DALLAS	
Location:	DALLAS, TEXAS	
Customer:	AUSTIN COMMERCIAL	
Architect:	HKS, INC.	
DRAWN:	TR	JOB NO: <b>0708</b>
CHECKED:	RSD	CAD NO:
		PIECE MARK <b>S200M9</b>



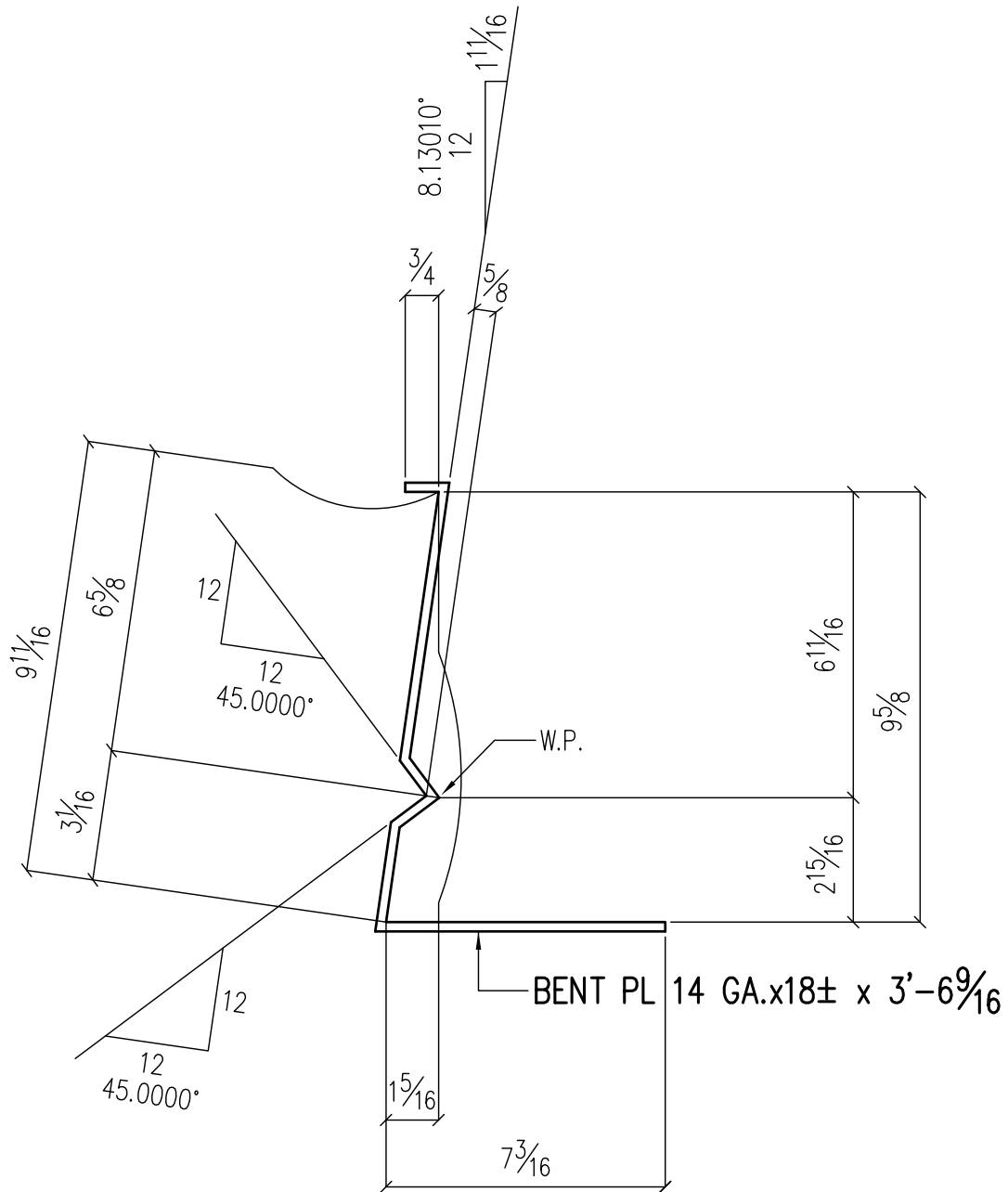
[ END VIEW ]  
**2 TREADS S200M10**

STAIR NO. 2

05-06-08

2-REQD. AT STAIR S209S1

<b>IRWIN STEEL</b> <b>15740 Highway 114 ~ Justin, Texas 76247</b> <b>Phone (817) 636-2508 ~ Fax (817) 636-2506</b>		
Job Name: <u>PRESBYTERIAN HOSPITAL OF DALLAS</u>		
Location: <u>DALLAS, TEXAS</u>		
Customer: <u>AUSTIN COMMERCIAL</u>		
Architect: <u>HKS, INC.</u>		
DRAWN: TR	JOB NO: <b>0708</b>	PIECE MARK <b>S200M10</b>
CHECKED: RSD	CAD NO:	



[ END VIEW ]  
**2 TREADS S200M11**

STAIR NO. 2

05-06-08

ONE-REQD. AT STAIR S211S1  
 ONE-REQD. AT STAIR S213S1

<b>IRWIN STEEL</b>		
15740 Highway 114 ~ Justin, Texas 76247 Phone (817) 636-2508 ~ Fax (817) 636-2506		
Job Name:	PRESBYTERIAN HOSPITAL OF DALLAS	
Location:	DALLAS, TEXAS	
Customer:	AUSTIN COMMERCIAL	
Architect:	HKS, INC.	
DRAWN:	TR	JOB NO: <b>0708</b>
CHECKED:	RSD	CAD NO:
		PIECE MARK <b>S200M11</b>