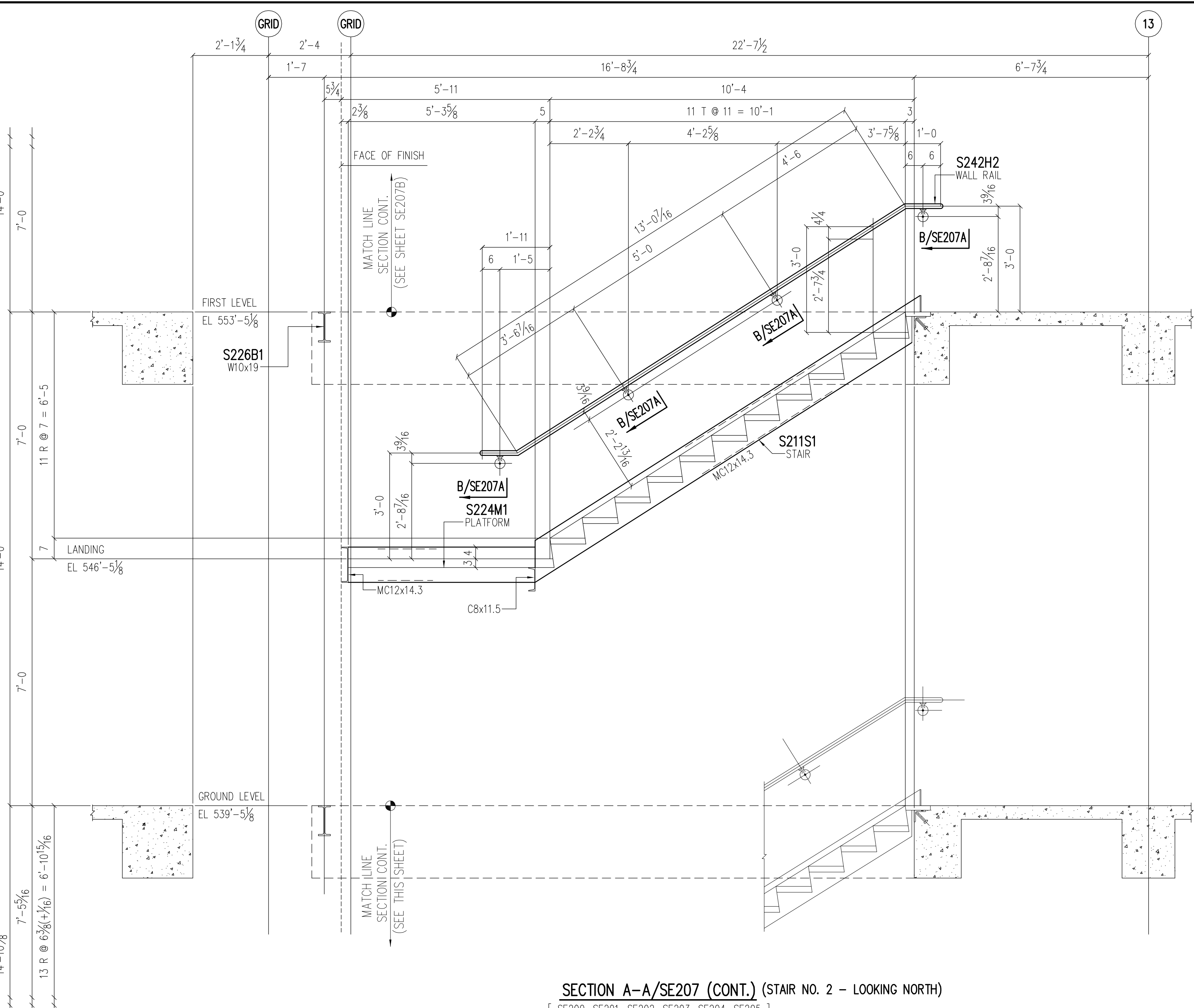
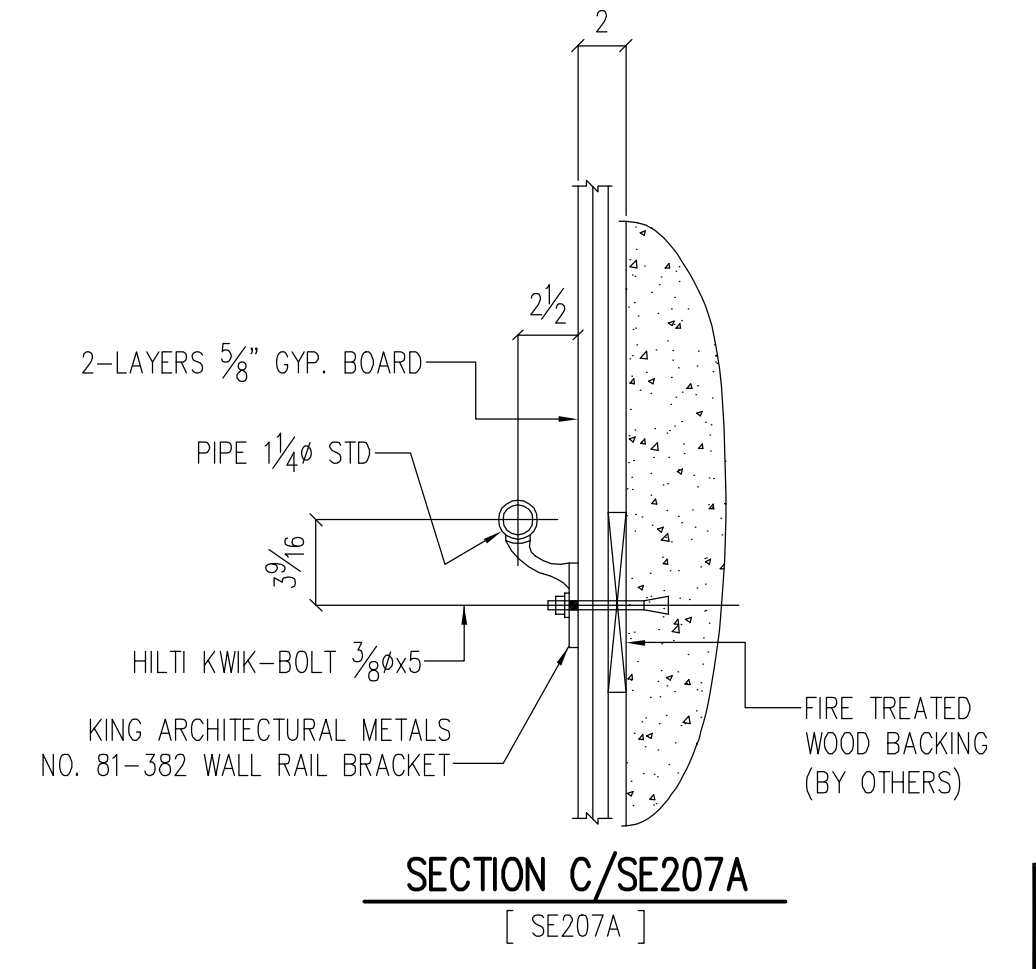
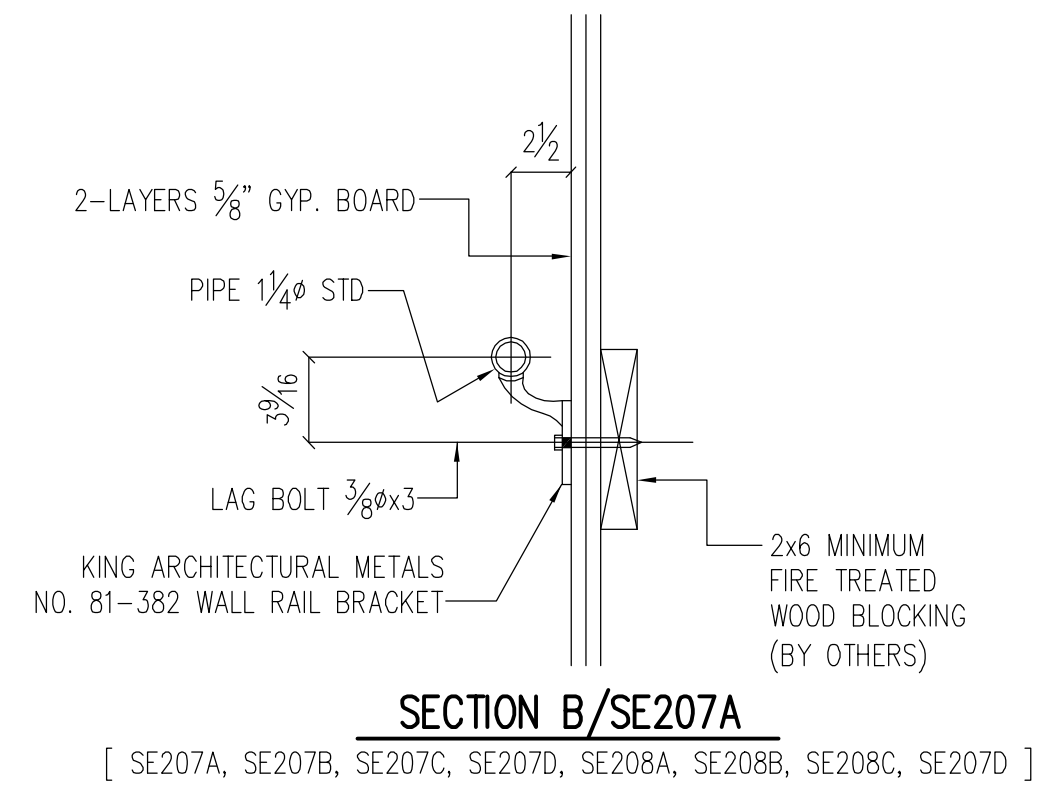


SECTION A-A/SE207 (STAIR NO. 2 - LOOKING NORTH)
[SE200, SE201, SE202, SE203, SE204, SE205]



SECTION A-A/SE207 (CONT.) (STAIR NO. 2 - LOOKING NORTH)
[SE200, SE201, SE202, SE203, SE204, SE205]



STAIR NOTES
 STRINGERS = MC12x14.3
 HEADERS = C8x11.5
 TREADS = 14 GA. PL W/ 2" FILL
 LANDINGS = 10 GA. PL W/ 3" FILL
 AND (3) C4x5.4 STIFFENERS
 RAILING = 1 1/2" STD. PIPE

DESIGN DWG REF: A801, A802
ERECTION DWG REF: SE201, SE206A, SE208A, SE209, SE210, S211

PRINT RECORD					
Date	Quan.	For	Date	Quan.	For
DATE		APPROVAL			
DATE		FIELD USE			

STAIR NO. 2 - SECTIONS

Rev.	Date	Description	By

IRWIN STEEL
 15740 Highway 114 ~ Justin, Texas 76247
 Phone (817) 636-2508 ~ Fax (817) 636-2506

Job Name: STANDARD PAN STAIR IN CONCRETE FRAME
 Location: CITY, TEXAS
 Customer: CONTRACTOR
 Architect: ARCHITECT

DRAWN: THX JOB NO: 1138 SHEET NO: SE207A
 CHECKED: HAL CAD NO: DATE F