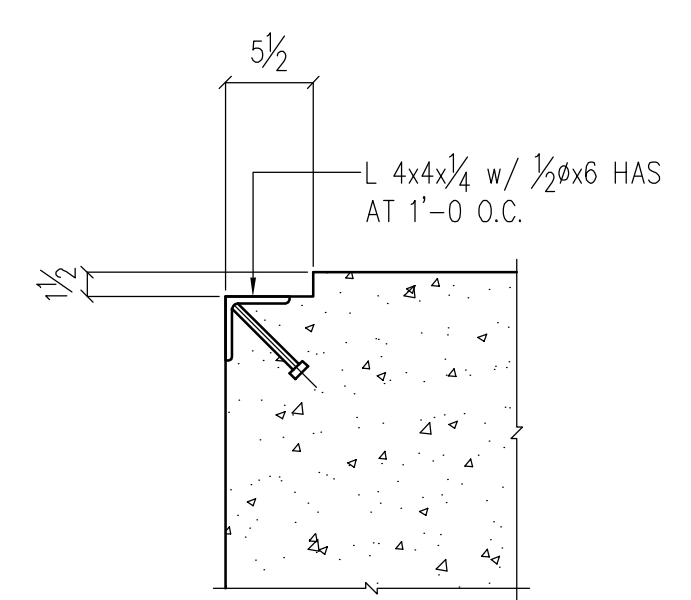
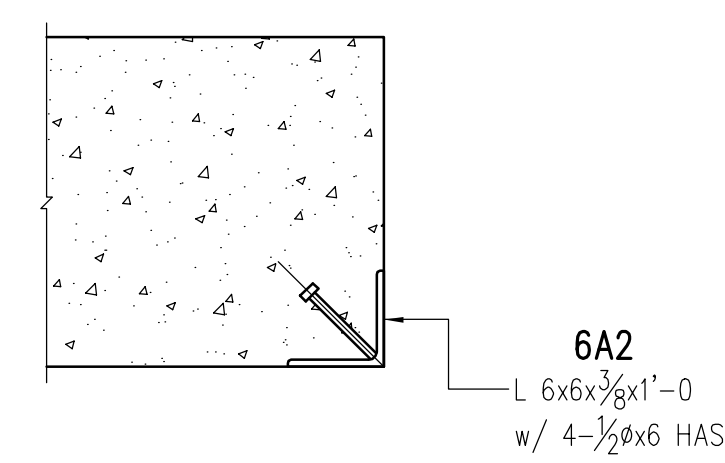


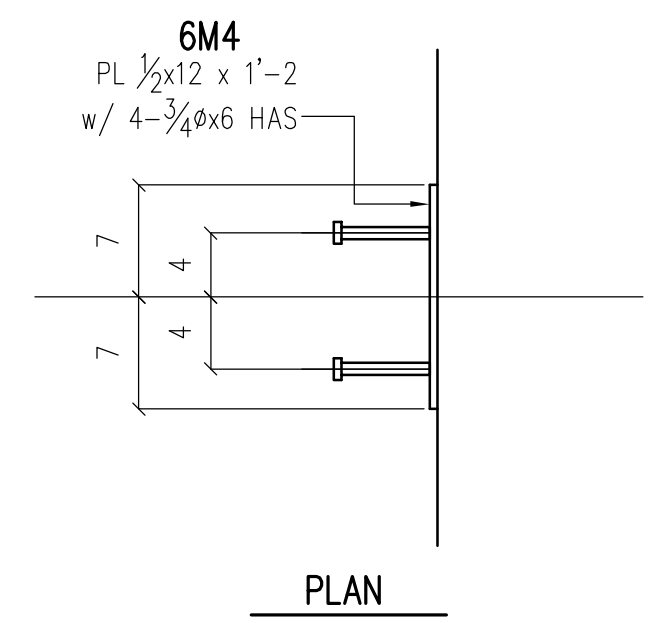
PLAN OF STAIR 2 AT LOWER LEVEL ONE
 DETAIL A/SE20
 [E58]



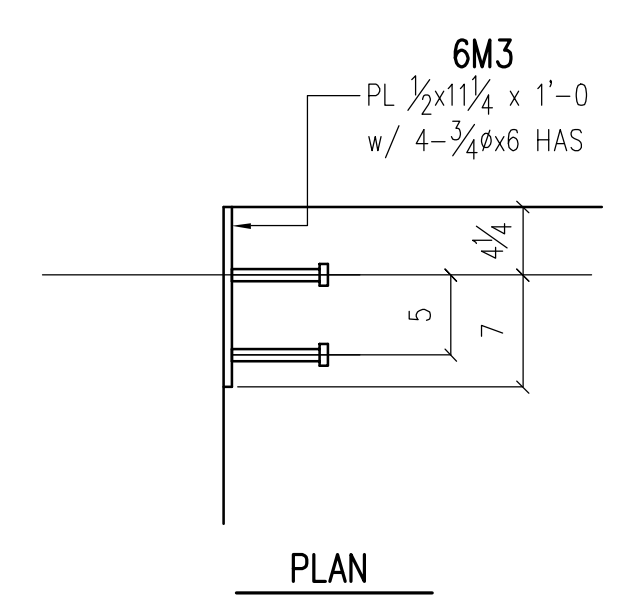
SECTION B/SE20
 [SE20, SE21, SE22, SE23, SE24, SE25]



SECTION C/SE20 (AS SHOWN)
 [SE20, SE21, SE22, SE23, SE24, SE25]
 SECTION D/SE20 (OPP. HAND)
 [SE20, SE21, SE22, SE23, SE24, SE25]



SECTION F/SE20
 [SE20, SE21, SE22, SE23, SE24]



SECTION G/SE20
 [SE20, SE21, SE22, SE23, SE24]

STAIR NO. 2 - EMBED PLAN AT LOWER LEVEL ONE DATE F

Rev.	Date	Description	By

IRWIN STEEL
 15740 Highway 114 ~ Justin, Texas 76247
 Phone (817) 636-2508 ~ Fax (817) 636-2506

DESIGN DWG REF: A801, A802

PRINT RECORD					
Date	Quan.	For	Date	Quan.	For

Job Name: STANDARD PAN STAIR IN CONCRETE FRAME
 Location: CITY, TEXAS
 Customer: CONTRACTOR
 Architect: ARCHITECT

DRAWN: THX	JOB NO: 1138	SHEET NO: SE20
CHECKED: HAL	CAD NO:	