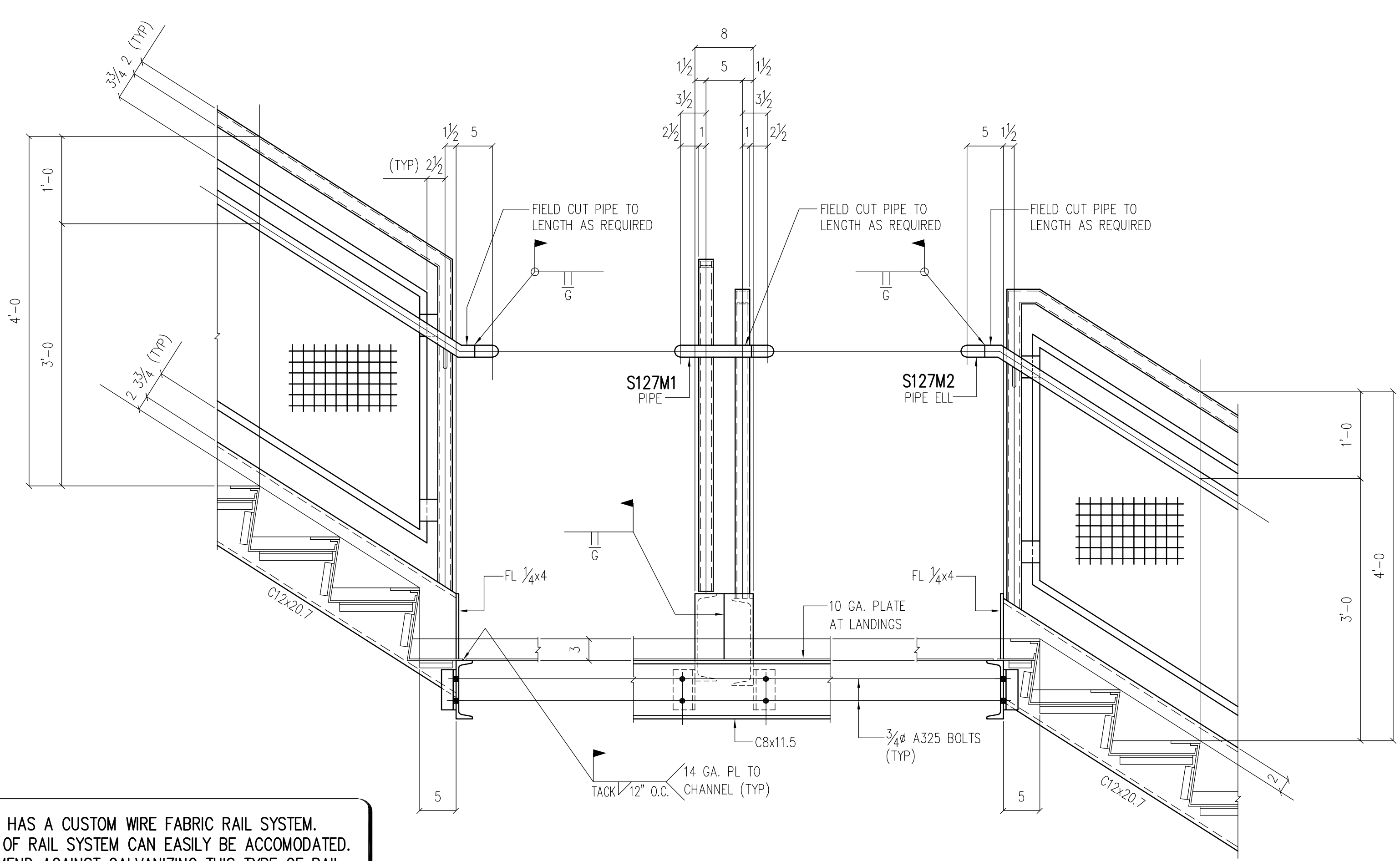


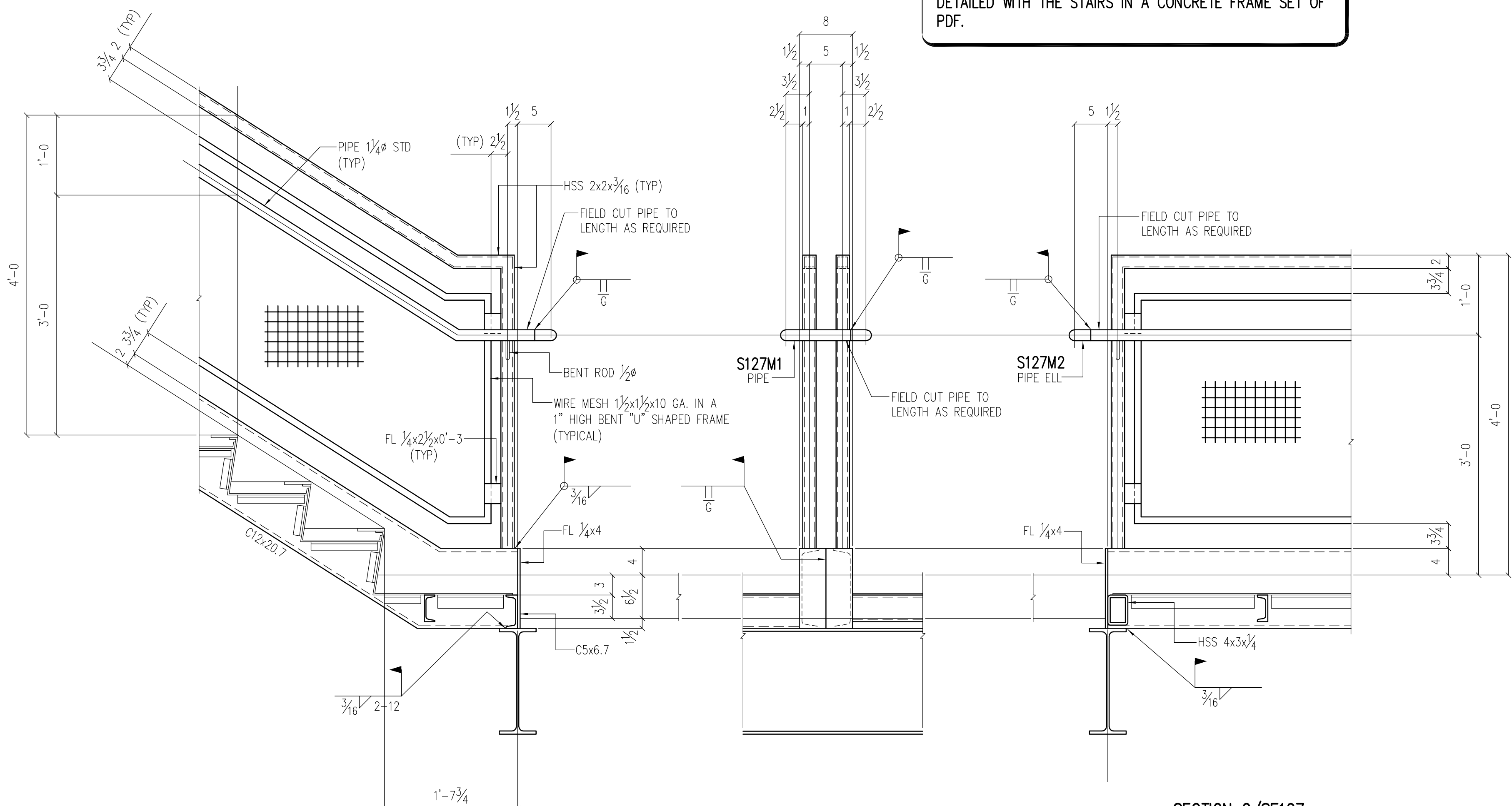
SECTION A/SE107
[SE101]



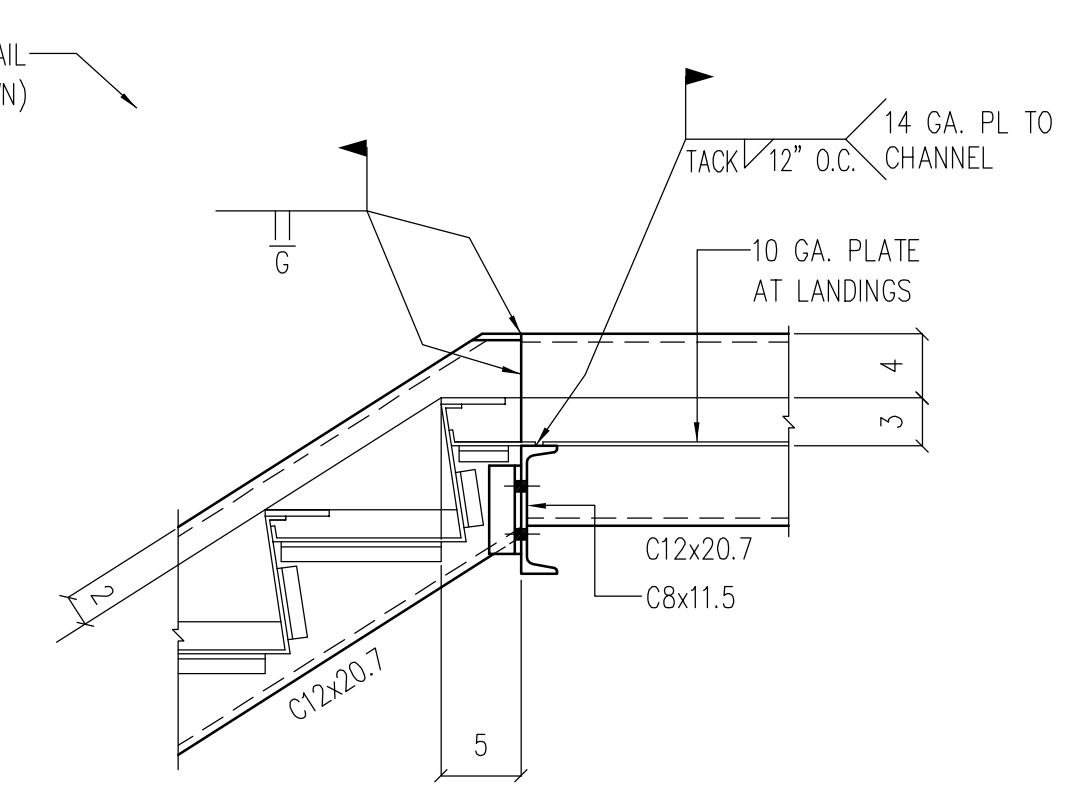
SECTION B/SE107
[SE101, SE102]

THIS STAIR HAS A CUSTOM WIRE FABRIC RAIL SYSTEM. THIS TYPE OF RAIL SYSTEM CAN EASILY BE ACCOMODATED. WE RECOMMEND AGAINST GALVANIZING THIS TYPE OF RAIL.

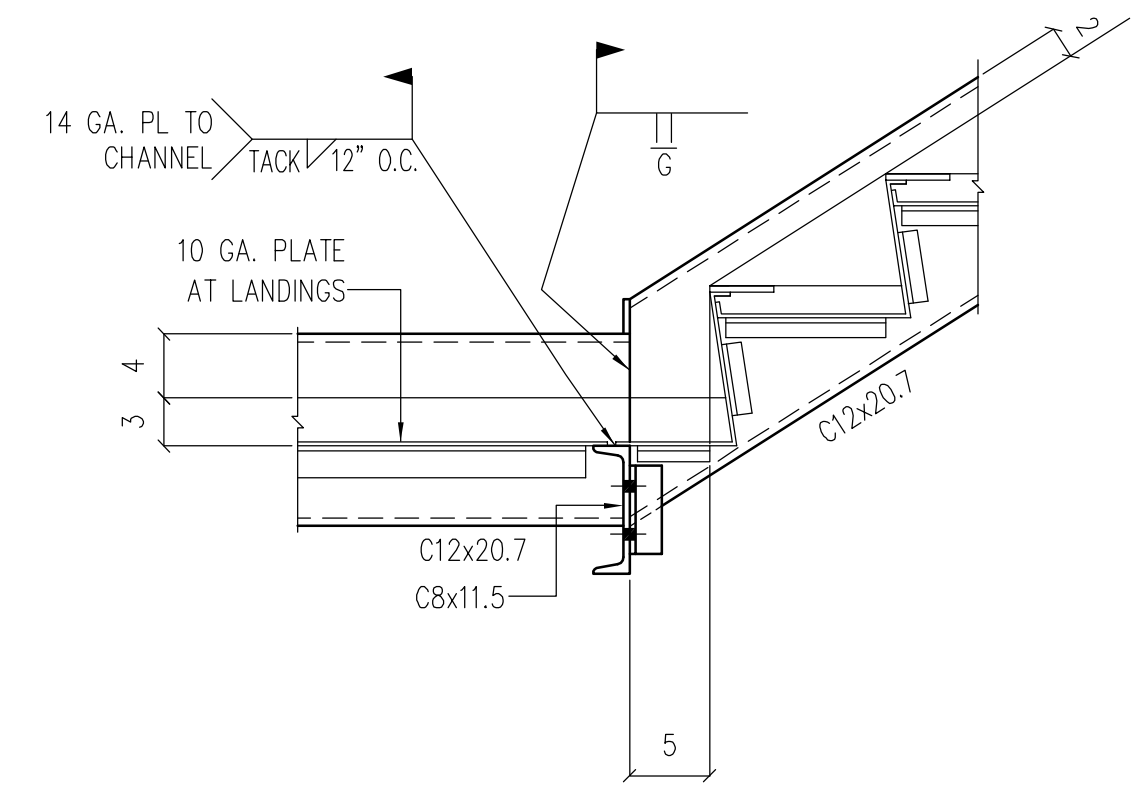
FOR A STANDARD PIPE RAIL SYSTEM, REVIEW THE RAILS DETAILED WITH THE STAIRS IN A CONCRETE FRAME SET OF PDF.



SECTION C/SE107
[SE101]



SECTION D/SE107
[SE101, SE102]



SECTION F/SE107
[SE101, SE102]

STAIR NO. 2 - AREA A

Rev.	Date	Description	By

IRWIN STEEL
15740 Highway 114 ~ Justin, Texas 76247
Phone (817) 636-2508 ~ Fax (817) 636-2506

REF: A702

PRINT RECORD					
Date	Quan.	For	Date	Quan.	For
DATE		APPROVAL			
DATE		FIELD USE			

Job Name: STANDARD PAN STAIR IN STEEL FRAME
Location: CITY, TEXAS
Customer: CONTRACTOR
Architect: ARCHITECT

DRAWN: THX
CHECKED: HAL
JOB NO: 1138
CAD NO:
SHEET NO: SE107