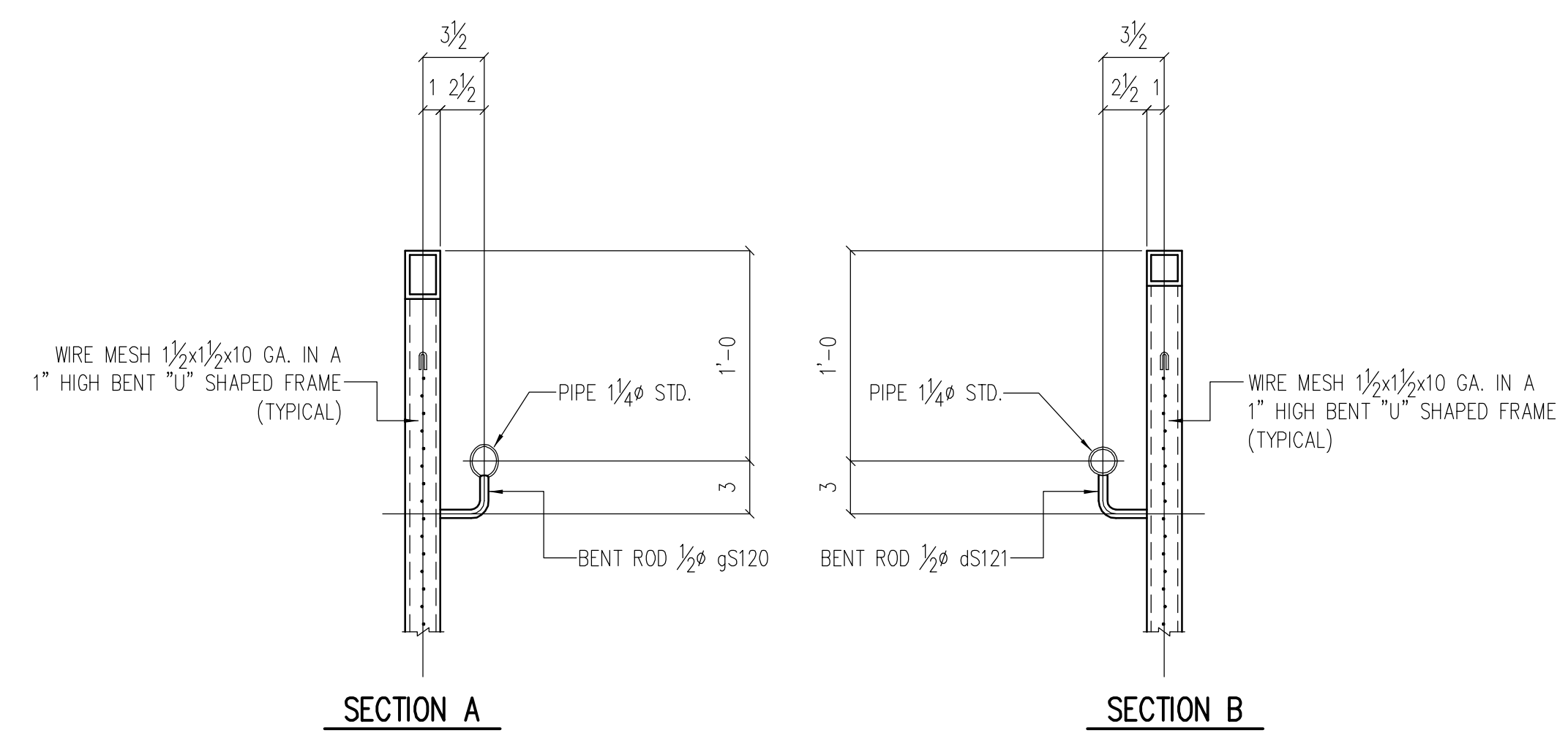


ONE HANDRAIL S123H1



Line	Mark	No.	Tot	Description	Length Ft	In	Piece Mark	Remarks	Weight	Order Item
1	S123H1	1		HANDRAIL						
2		1	1	HSS 2x2x3/16	12	4 3/4	ds123	A500		
3		1	1	HSS 2x2x3/16	3	9 5/8	bs123	A500		
4		1	1	HSS 2x2x3/16	3	8	cs122	A500		
5		2	2	HSS 2x2x3/16	3	8 9/16	ds122	A500		
6		1	1	HSS 2x2x3/16	1	7 1/4	cs123	A500		
7		1	1	PIPE 1/4 STD.	15			A53B		
8		3	3	BENT ROD 1/2	0	4 9/16 ±	gs120			
9		1	1	BENT ROD 1/2	0	4 1/16 ±	ds121			
10		12	12	FL 1/4x2 1/2	0	3	hs120			
11		1	1	WIRE MESH PANEL			S122P1			
12		1	1	WIRE MESH PANEL			S122P2			
13		1	1	WIRE MESH PANEL			S123P1			
14										
15										
16										
17										
18										
19										
20										
21										
22										
23										
24										
25										
26										
27										
28										
29										
30										
31										
32										
33										
34										
35										
36										
37										
38										
39										
40										
41										
42										
43										
44										
45										
46										
47										
48										
49										
50										
51										

SHOP NOTE !
 1. ALL PIPE BENDS, 3 3/16" AT CENTERLINE.
 2. WELD ALL PIPE AND TUBE JOINTS AND GRIND SMOOTH.
 3. ALL STEEL A36 U.S.
 4. PAINT - 1 SHOP COAT

STAIR NO. 2 - AREA A DATE 5

Rev.	Date	Description	By

IRWIN STEEL
 15740 Highway 114 ~ Justin, Texas 76247
 Phone (817) 636-2508 ~ Fax (817) 636-2506

REF: SE101-SE108

PRINT RECORD					
Date	Quan.	For	Date	Quan.	For
DATE		APPROVAL			
DATE		SHOP			

Job Name: STANDARD PAN STAIR IN STEEL FRAME
 Location: CITY, TEXAS
 Customer: CONTRACTOR
 Architect: ARCHITECT

DRAWN: THX JOB NO. 1138
 CHECKED: HAL SHEET NO. S123