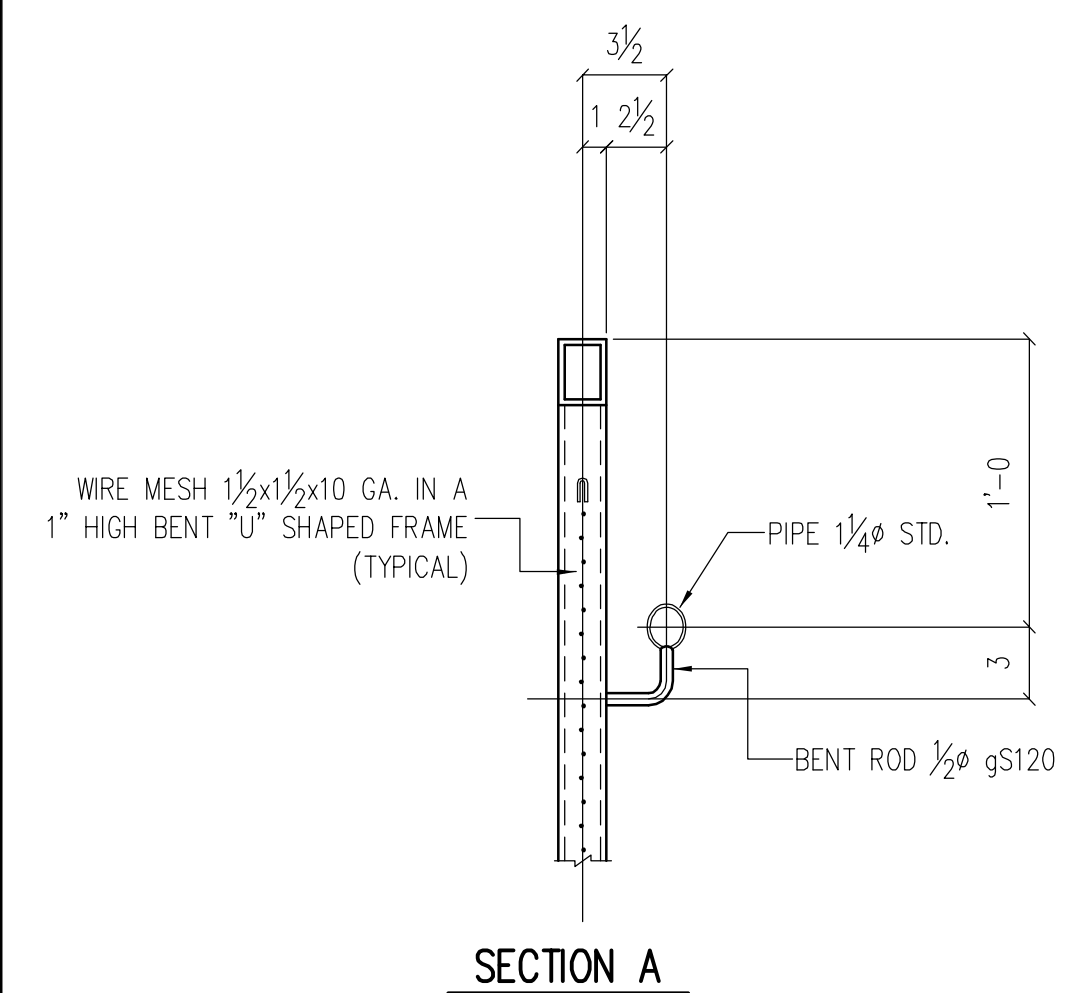


ONE HANDRAIL S122H1



SECTION A

| Line | Mark | No. | Tot | Description | Length | | Piece Mark | Remarks | Weight | Order Item |
|------|--------|-----|-----|-----------------|--------|----------|------------|---------|--------|------------|
| | | | | | Ft | In | | | | |
| 1 | S122H1 | 1 | | HANDRAIL | | | | | | |
| 2 | | 1 | 1 | HSS 2x2x3/16 | 13 | 1 1/16 | cS122 | A500 | | |
| 3 | | 1 | 1 | HSS 2x2x3/16 | 0 | 8 13/16 | bS122 | A500 | | |
| 4 | | 1 | 1 | HSS 2x2x3/16 | 3 | 8 | cS122 | A500 | | |
| 5 | | 2 | 2 | HSS 2x2x3/16 | 3 | 8 9/16 | dS122 | A500 | | |
| 6 | | 1 | 1 | HSS 2x2x3/16 | 3 | 8 1/16 | fS122 | A500 | | |
| 7 | | 1 | 1 | HSS 2x2x3/16 | 0 | 4 1/2 | gS122 | A500 | | |
| 8 | | 1 | 1 | PIPE 1/4 STD. | 15 | UN. FT. | | A538 | | |
| 9 | | 3 | 3 | BENT ROD 1/2 | 0 | 4 3/8 ± | gS120 | | | |
| 10 | | 1 | 1 | BENT ROD 1/2 | 0 | 4 1/16 ± | dS121 | | | |
| 11 | | 12 | 12 | FL 1/4x2 1/2 | 0 | 3 | hS120 | | | |
| 12 | | 1 | 1 | WIRE MESH PANEL | | | S122P1 | | | |
| 13 | | 1 | 1 | WIRE MESH PANEL | | | S122P2 | | | |
| 14 | | 1 | 1 | WIRE MESH PANEL | | | S122P3 | | | |
| 15 | | | | | | | | | | |
| 16 | | | | | | | | | | |
| 17 | | | | | | | | | | |
| 18 | | | | | | | | | | |
| 19 | | | | | | | | | | |
| 20 | | | | | | | | | | |
| 21 | | | | | | | | | | |
| 22 | | | | | | | | | | |
| 23 | | | | | | | | | | |
| 24 | | | | | | | | | | |
| 25 | | | | | | | | | | |
| 26 | | | | | | | | | | |
| 27 | | | | | | | | | | |
| 28 | | | | | | | | | | |
| 29 | | | | | | | | | | |
| 30 | | | | | | | | | | |
| 31 | | | | | | | | | | |
| 32 | | | | | | | | | | |
| 33 | | | | | | | | | | |
| 34 | | | | | | | | | | |
| 35 | | | | | | | | | | |
| 36 | | | | | | | | | | |
| 37 | | | | | | | | | | |
| 38 | | | | | | | | | | |
| 39 | | | | | | | | | | |
| 40 | | | | | | | | | | |
| 41 | | | | | | | | | | |
| 42 | | | | | | | | | | |
| 43 | | | | | | | | | | |
| 44 | | | | | | | | | | |
| 45 | | | | | | | | | | |
| 46 | | | | | | | | | | |
| 47 | | | | | | | | | | |
| 48 | | | | | | | | | | |
| 49 | | | | | | | | | | |
| 50 | | | | | | | | | | |
| 51 | | | | | | | | | | |

SHOP NOTE !
 1. ALL PIPE BENDS, 3/16" AT CENTERLINE.
 2. WELD ALL PIPE AND TUBE JOINTS AND GRIND SMOOTH.
 3. ALL STEEL A36 U.S.
 4. PAINT - 1 SHOP COAT

STAIR NO. 2 - AREA A DATE

| Rev. | Date | Description | By |
|------|------|-------------|----|
| | | | |

IRWIN STEEL
 15740 Highway 114 ~ Justin, Texas 76247
 Phone (817) 636-2508 ~ Fax (817) 636-2506

REF: SE101-SE108

| PRINT RECORD | | | | | |
|--------------|-------|----------|------|-------|-----|
| Date | Quan. | For | Date | Quan. | For |
| DATE | | APPROVAL | | | |
| DATE | | SHOP | | | |

| | |
|------------|-----------------------------------|
| Job Name: | STANDARD PAN STAIR IN STEEL FRAME |
| Location: | CITY, TEXAS |
| Customer: | CONTRACTOR |
| Architect: | ARCHITECT |
| DRAWN: | THX |
| CHECKED: | HAL |
| JOB NO.: | 1138 |
| CAD NO.: | |
| SHEET NO.: | S122 |