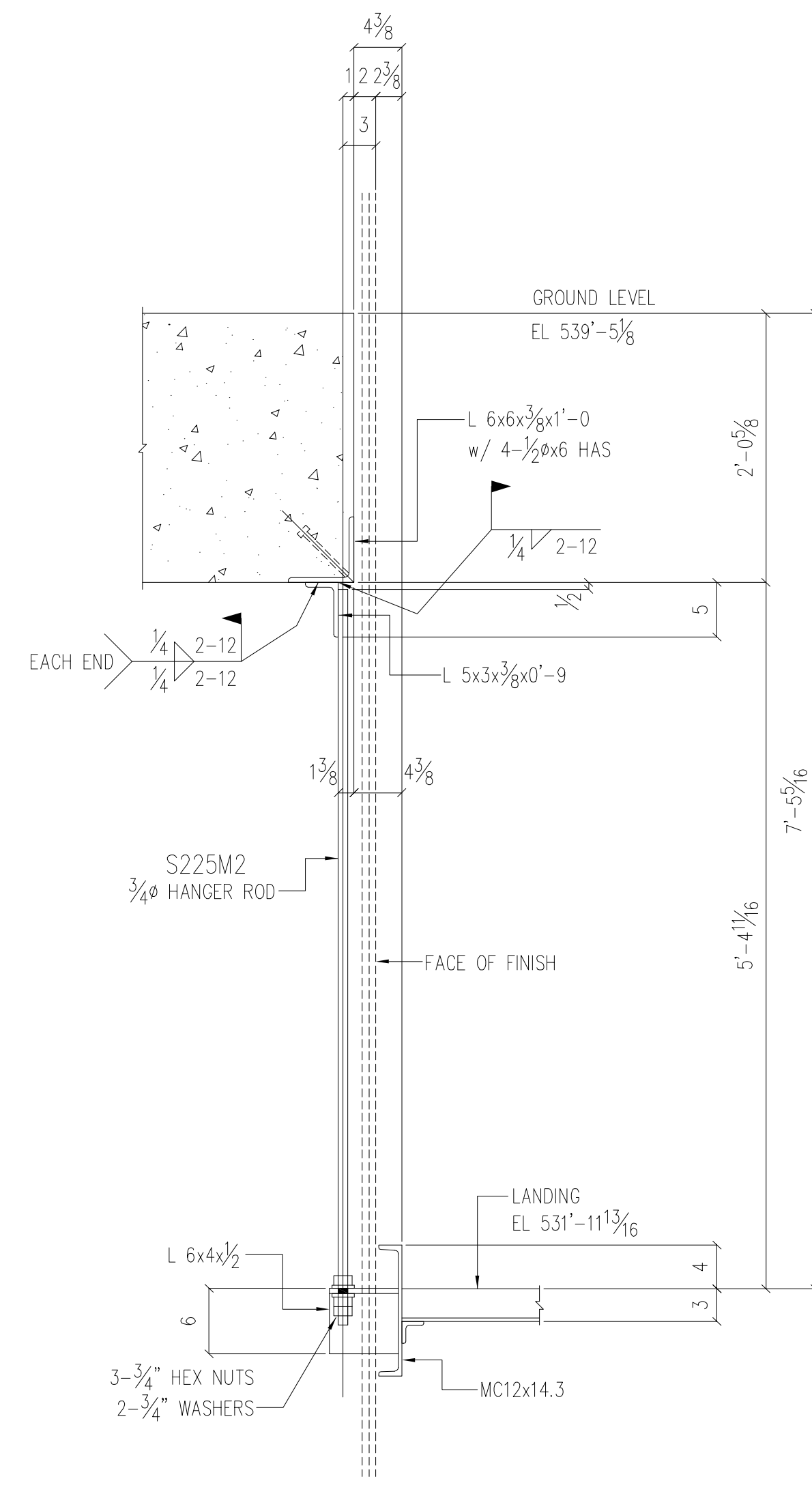
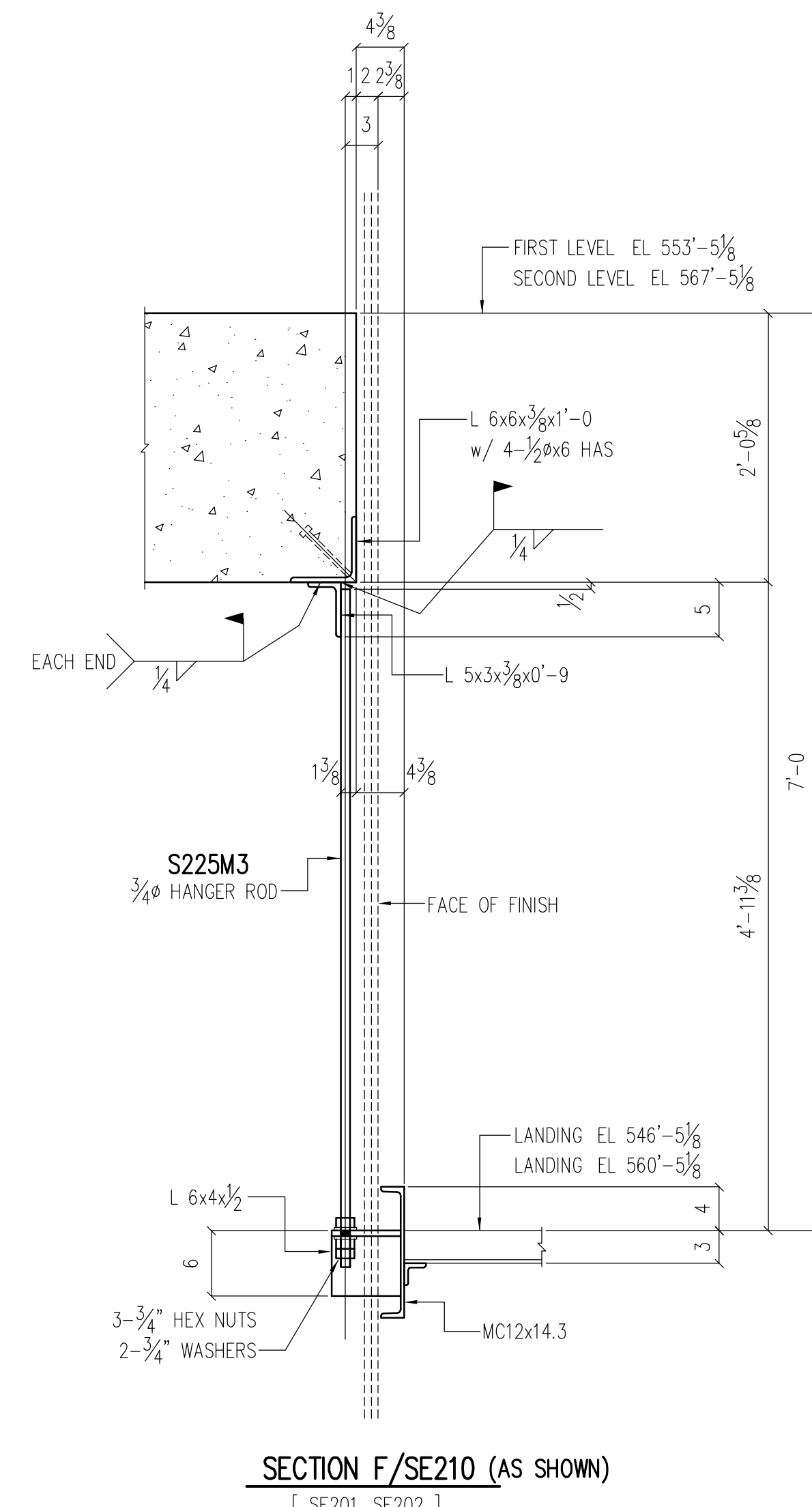


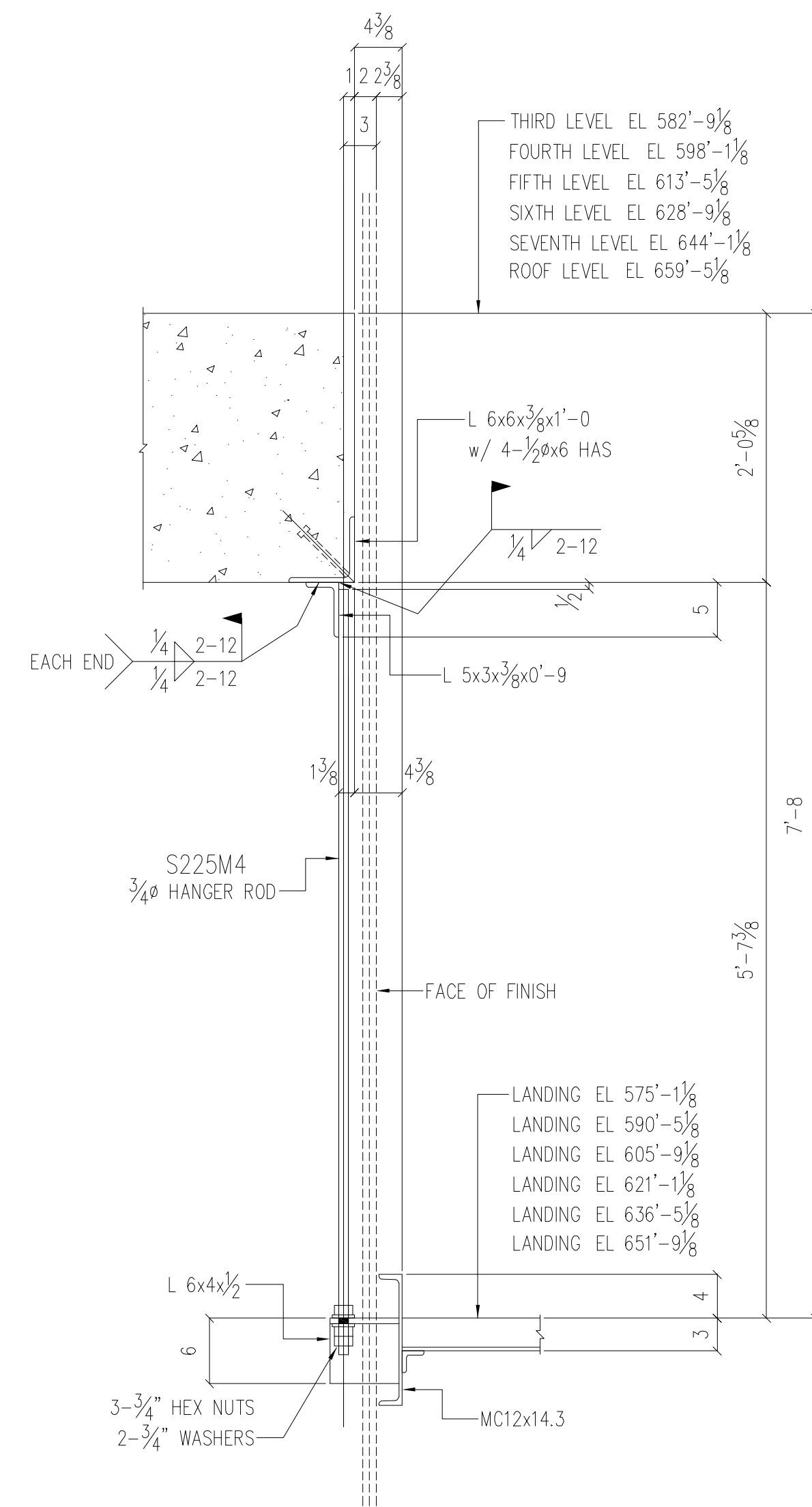
SECTION A/SE210 (AS SHOWN)  
[ SE200 ]  
SECTION B/SE210 (OPP. HAND)  
[ SE200 ]



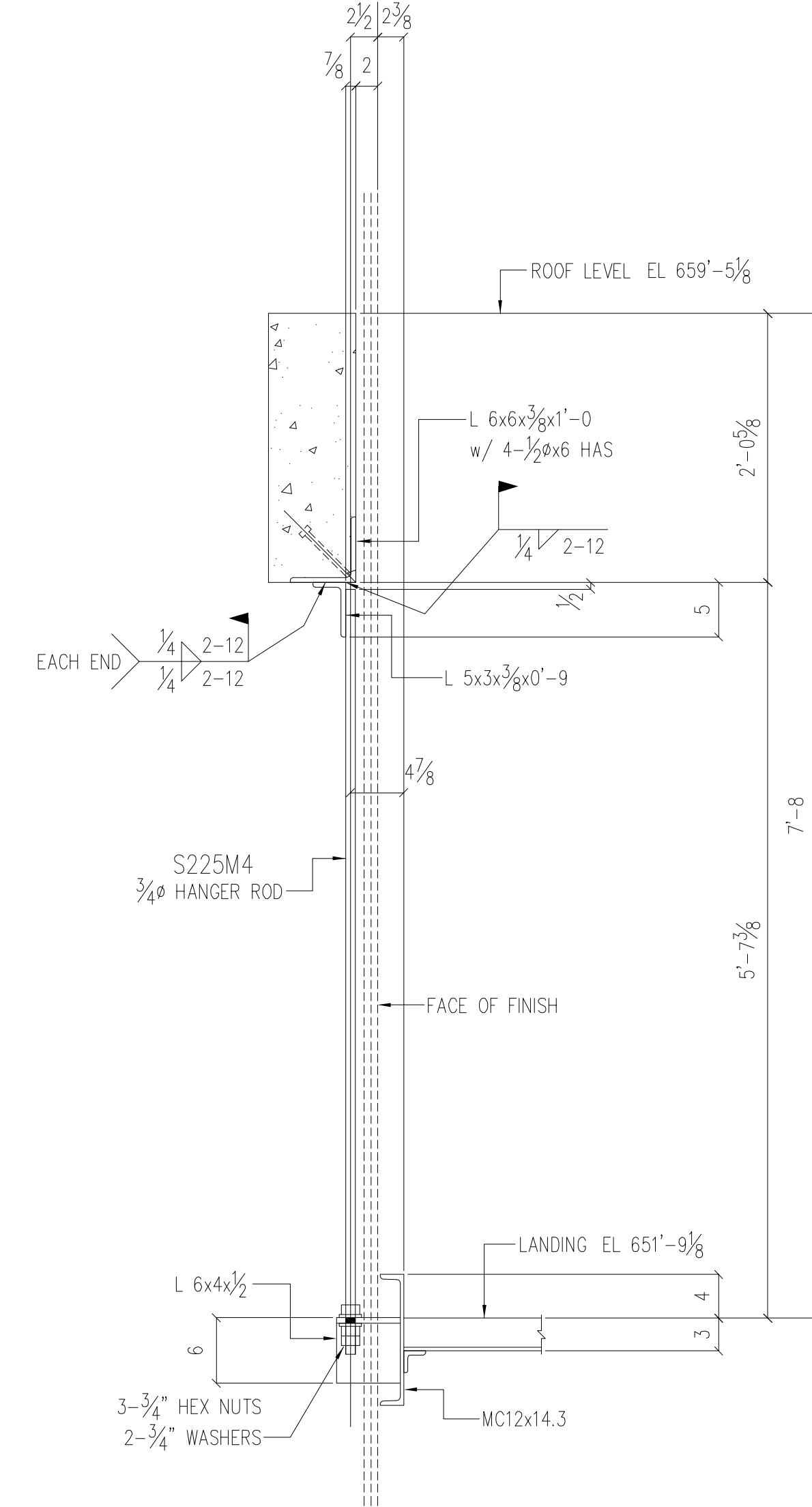
SECTION C/SE210 (AS SHOWN)  
[ SE201 ]  
SECTION D/SE210 (OPP. HAND)  
[ SE201 ]



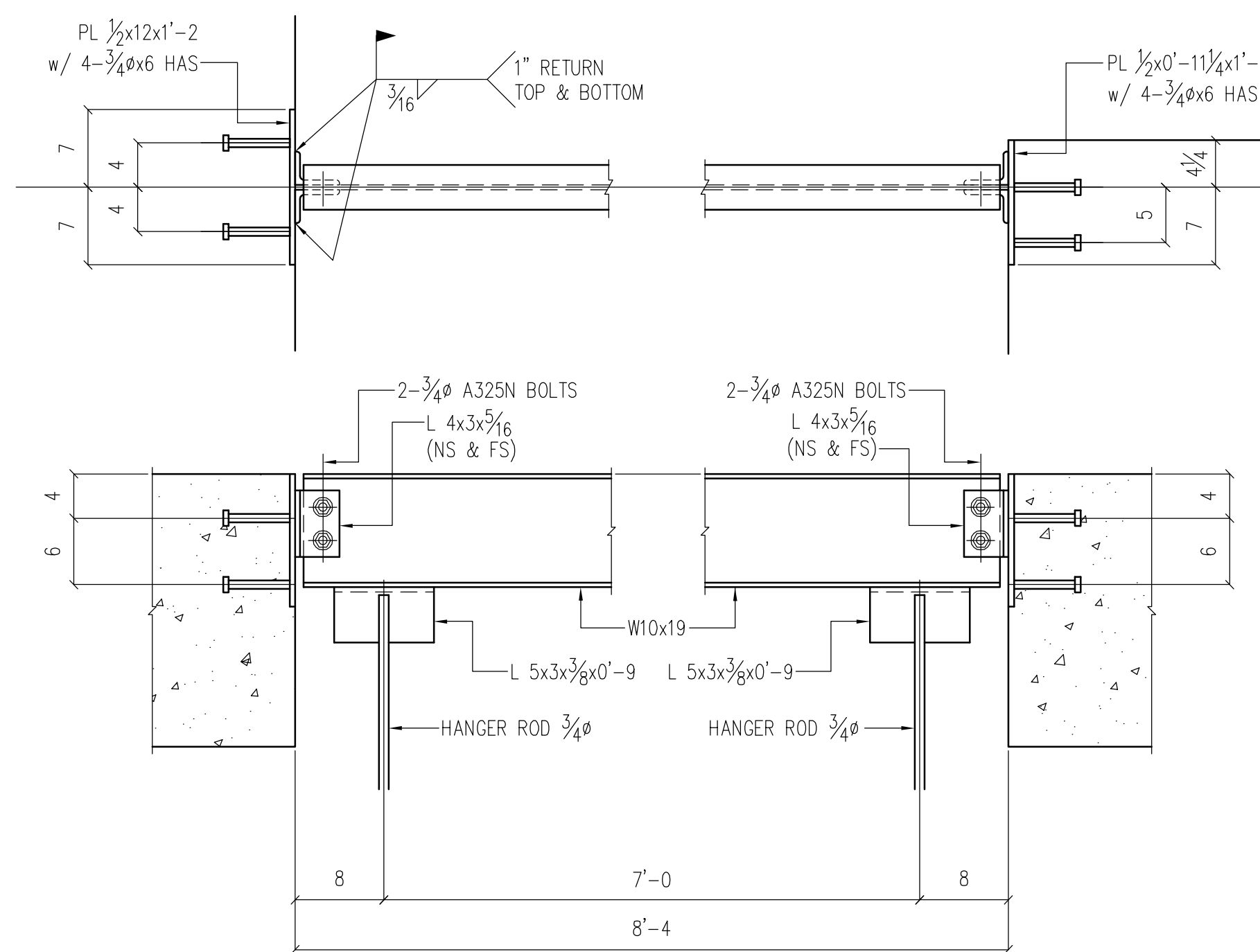
SECTION F/SE210 (AS SHOWN)  
[ SE201, SE202 ]  
SECTION G/SE210 (OPP. HAND)  
[ SE201, SE202 ]



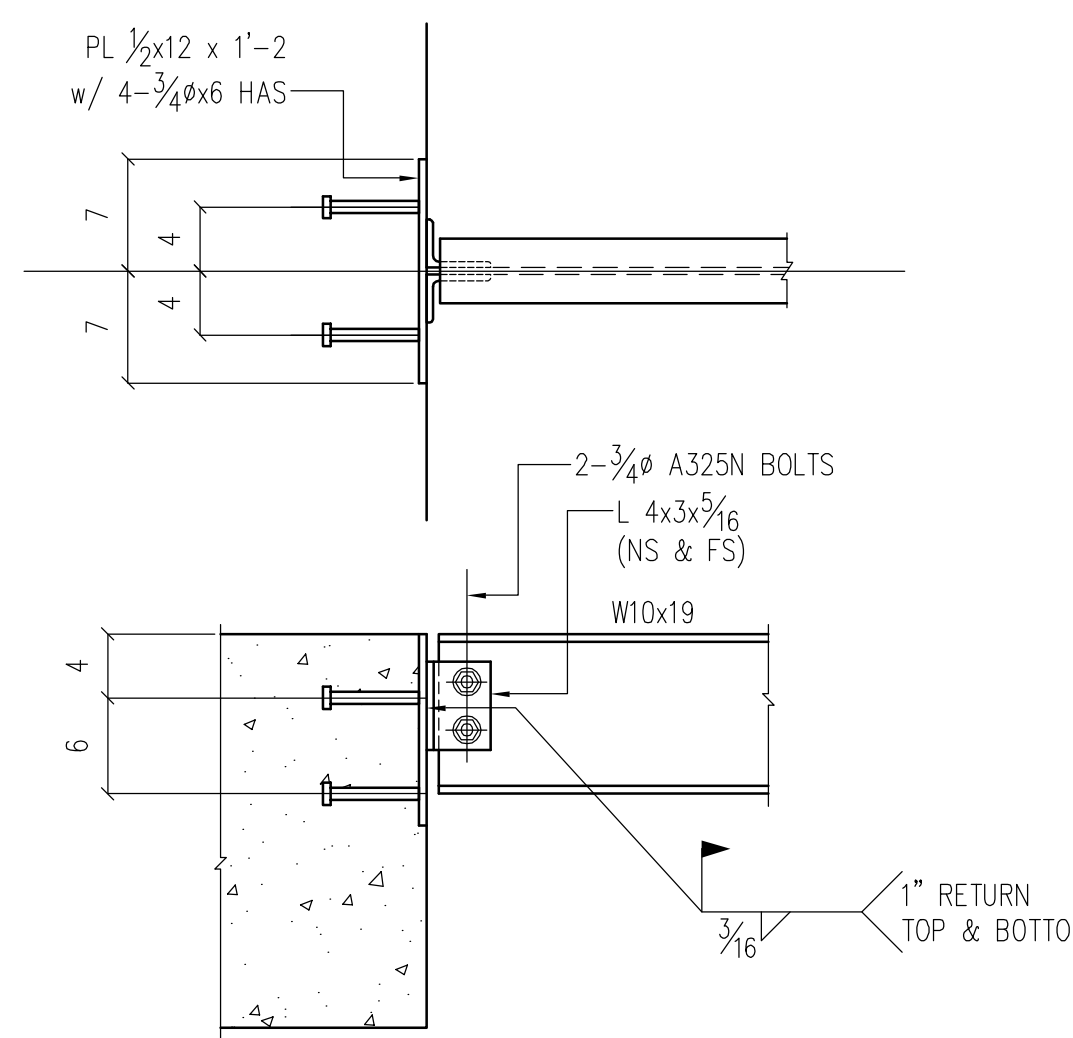
SECTION H/SE210 (AS SHOWN)  
[ SE202, SE203, SE204, SE205 ]  
SECTION K/SE210 (OPP. HAND)  
[ SE202, SE203, SE204, SE205 ]



SECTION M/SE210 (AS SHOWN)  
[ SE205 ]  
SECTION N/SE210 (OPP. HAND)  
[ SE205 ]



SECTION R/SE210  
[ SE200, SE201, SE202, SE203, SE204 ]  
SECTION S/SE210  
[ SE200, SE201, SE202, SE203, SE204 ]



SECTION T/SE210  
[ SE201, SE202, SE203, SE204 ]

DESIGN DWG REF: A801, A802  
ERECTOR DWG REF: SE201, SE206A, SE207A, SE208A, SE209, SE211

PRINT RECORD					
Date	Quan.	For	Date	Quan.	For
DATE		APPROVAL			
DATE		FIELD USE			

STAIR NO. 2 - SECTIONS AND DETAILS

Rev.	Date	Description	By

**IRWIN STEEL**  
15740 Highway 114 ~ Justin, Texas 76247  
Phone (817) 636-2508 ~ Fax (817) 636-2506

Job Name: STANDARD PAN STAIR IN CONCRETE FRAME  
Location: CITY, TEXAS  
Customer: CONTRACTOR  
Architect: ARCHITECT

DRAWN: THX  
CHECKED: HAL  
JOB NO: 1138  
CAD NO:  
SHEET NO: SE210