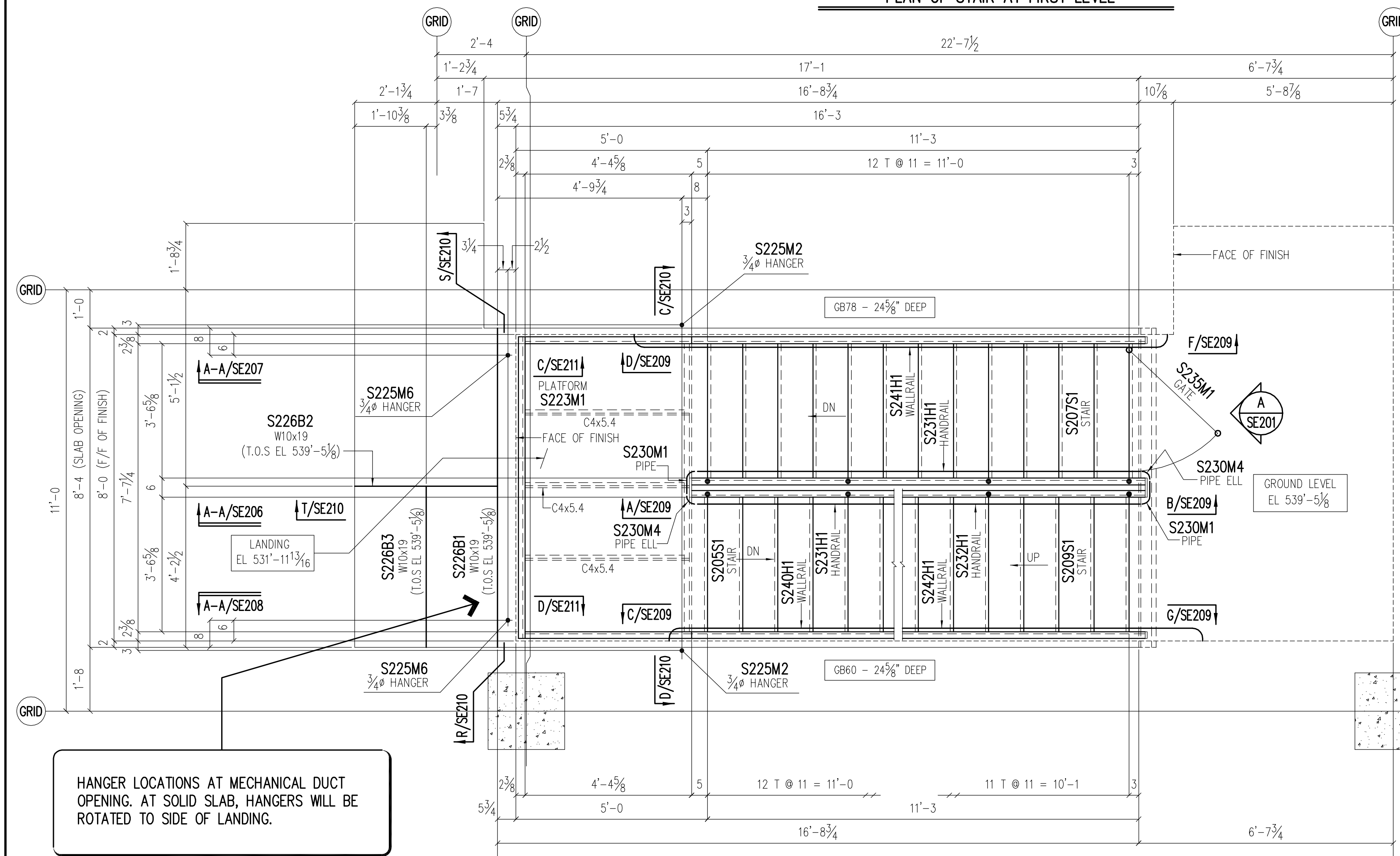
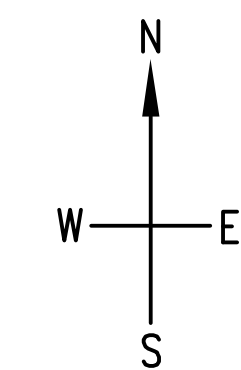


PLAN OF STAIR AT FIRST LEVEL

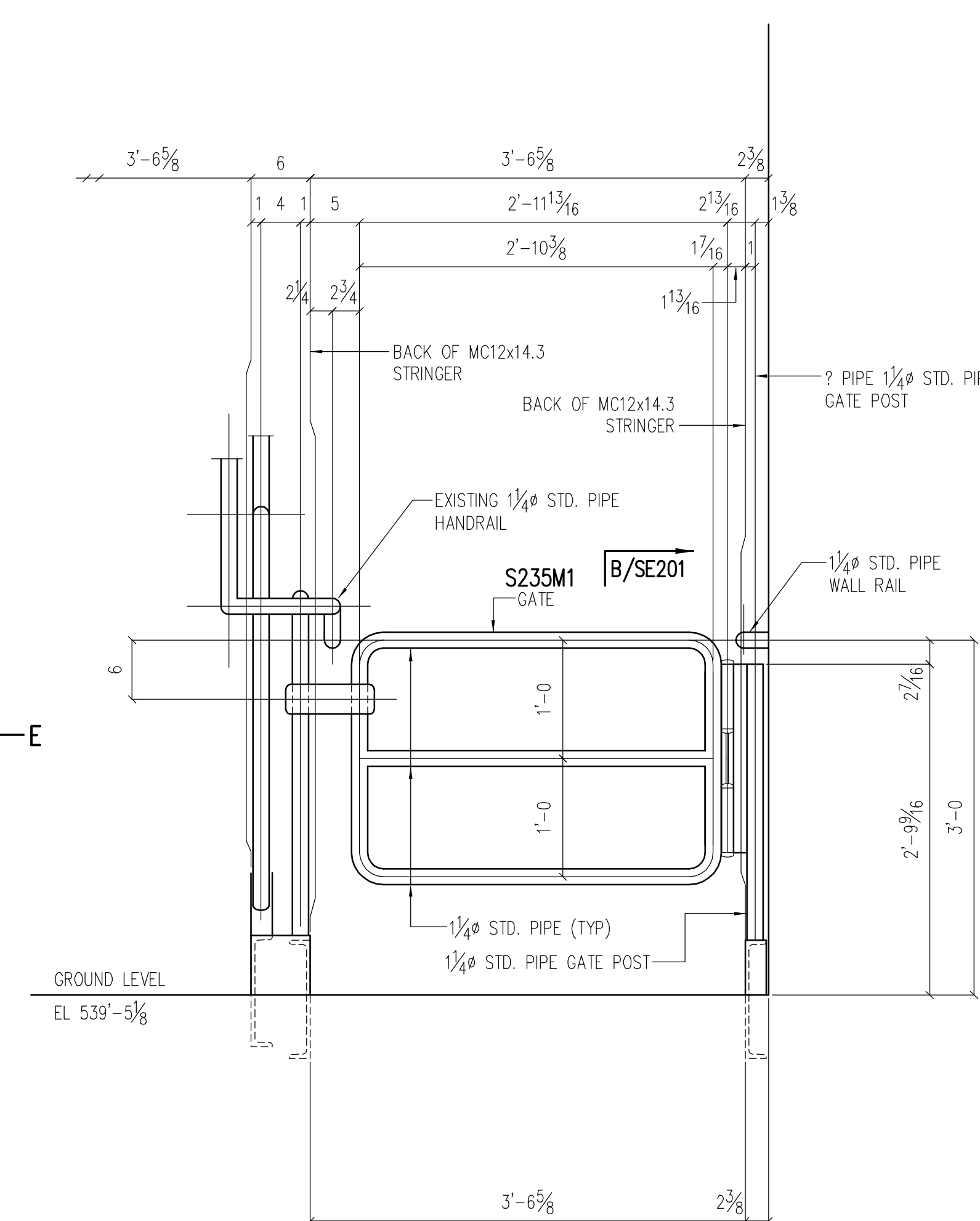
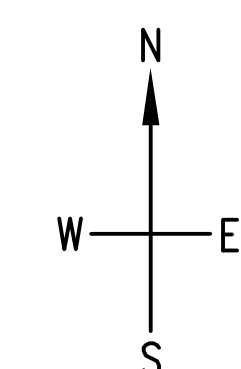


PLAN OF STAIR AT GROUND LEVEL

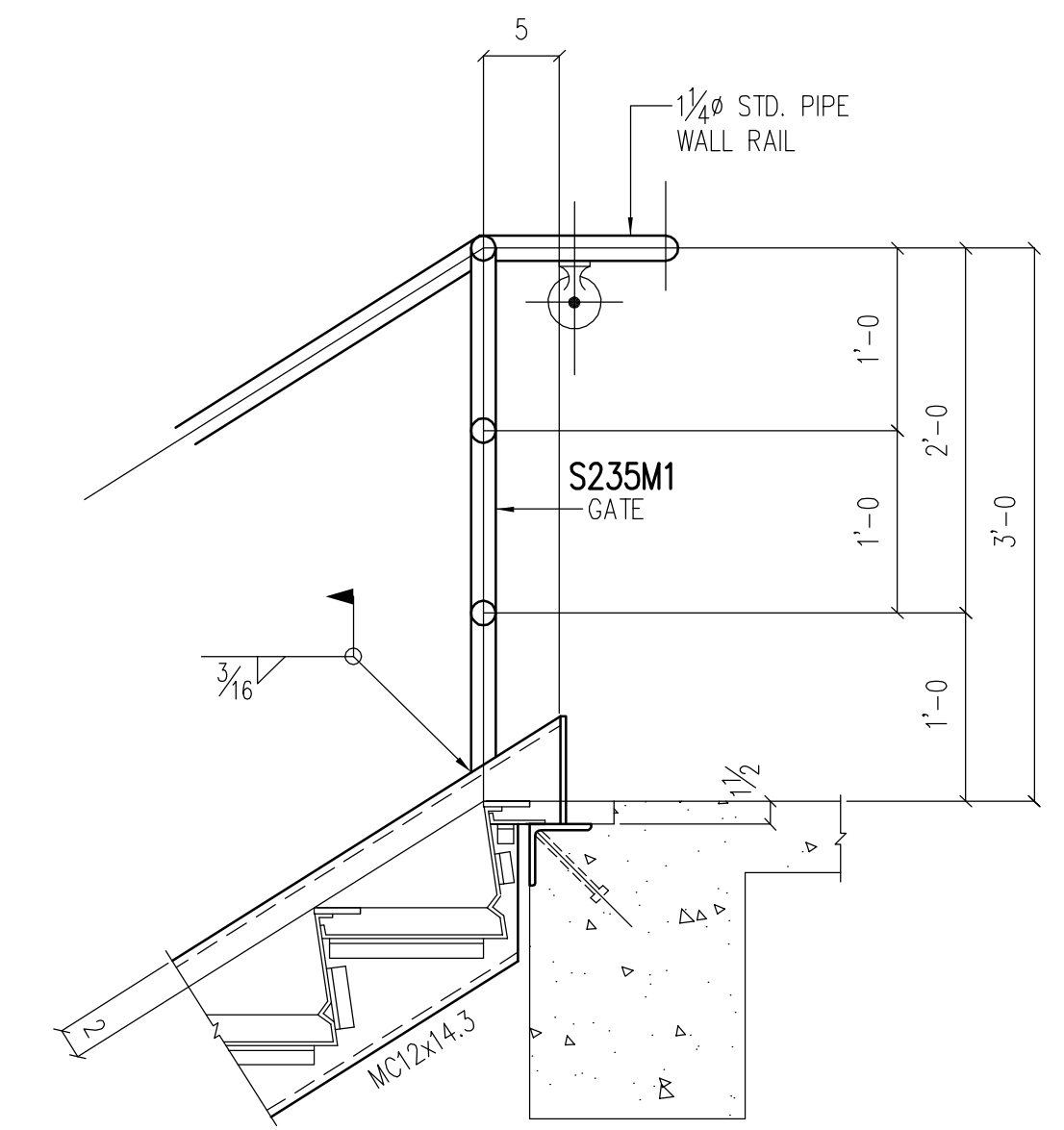
A-A/SE207
A-A/SE206
A-A/SE208



A-A/SE207
A-A/SE206
A-A/SE208



VIEW A/SE201
[SE201, SE206A, SE207A]



SECTION B/SE101
[SE101]

OPTIONAL GATE

STAIR NOTES
STRINGERS = MC12x14.3
HEADERS = C8x11.5
TREADS = 14 GA. PL W/ 2" FILL
LANDINGS = 10 GA. PL W/ 3" FILL
AND (3) C4x5.4 STIFFENERS)
RAILING = 1/2 STD. PIPE

DESIGN DWG REF: A801, A802
ERECTION DWG REF: SE206A, SE207A, SE208A, SE209, SE210, SE211

PRINT RECORD					
Date	Quan.	For	Date	Quan.	For
DATE		APPROVAL			
DATE		FIELD USE			

STAIR NO. 2 - PLANS AT GROUND AND FIRST LEVELS

Rev.	Date	Description	By

IRWIN STEEL
15740 Highway 114 ~ Justin, Texas 76247
Phone (817) 636-2508 ~ Fax (817) 636-2506

Job Name:	STANDARD PAN STAIR IN CONCRETE FRAME	
Location:	CITY, TEXAS	
Customer:	CONTRACTOR	
Architect:	ARCHITECT	
DRAWN: THX	JOB NO. 1138	SHEET NO. SE201
CHECKED: HAL	CAD NO.	