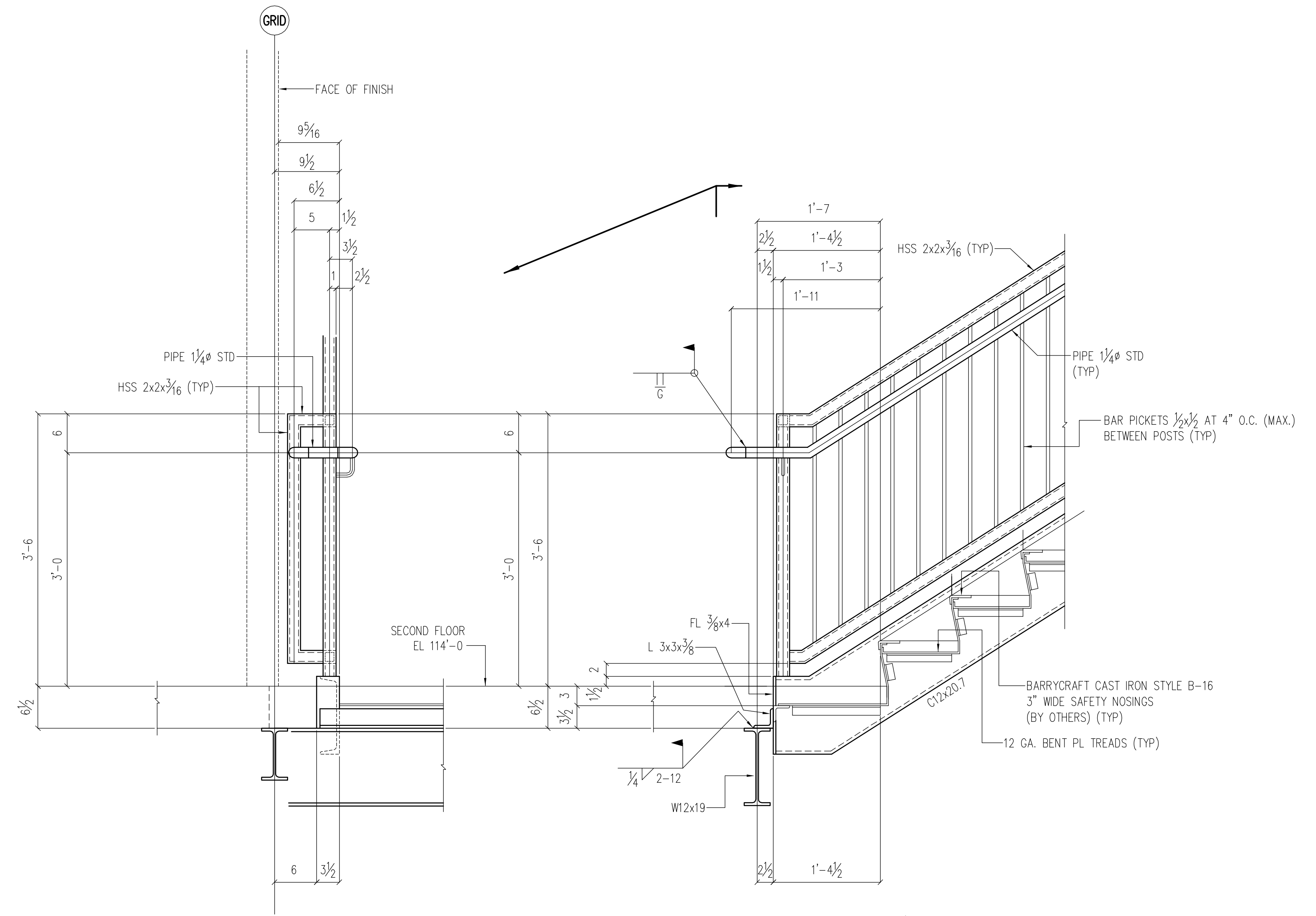
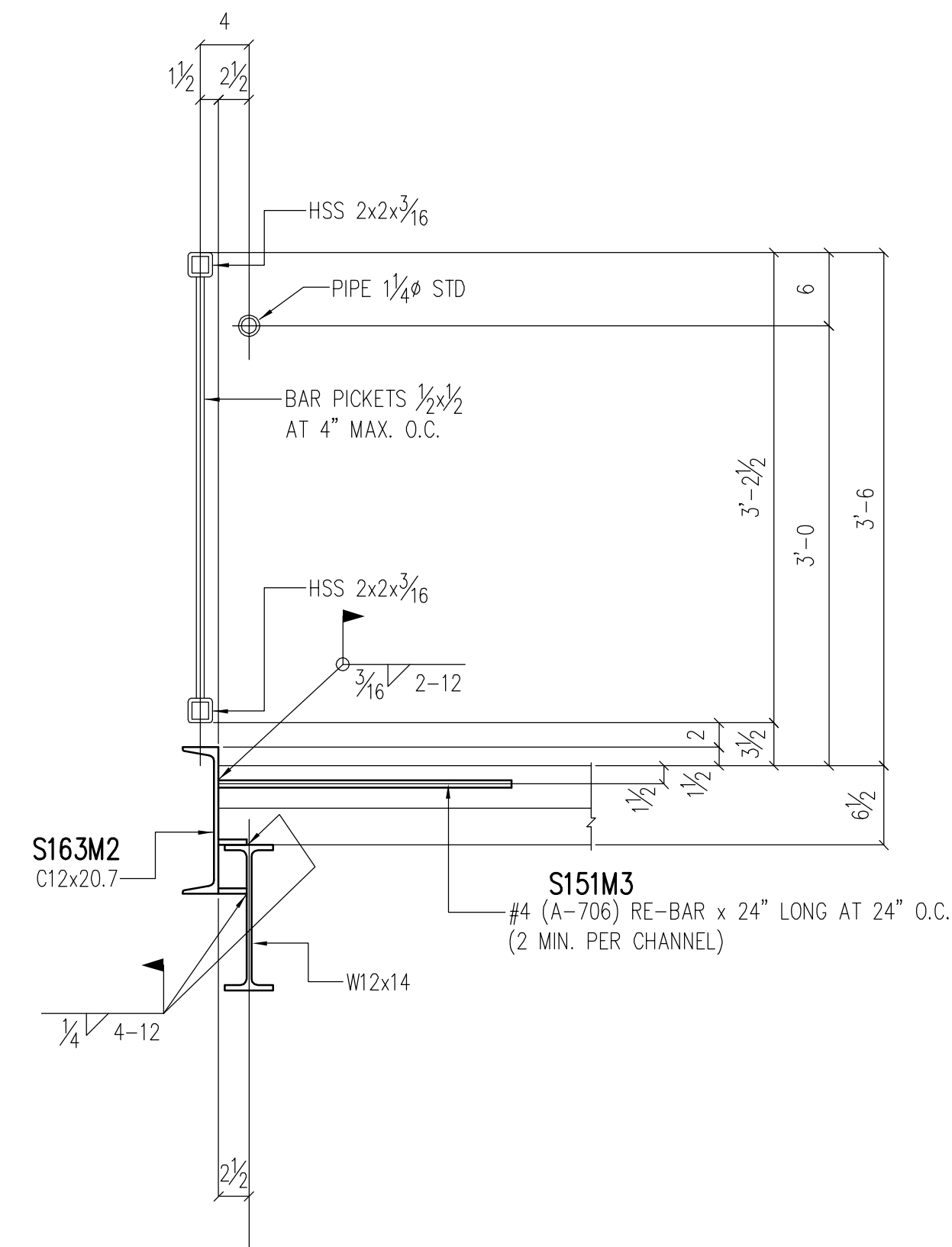


SECTION A/SE116
[SE110]



SECTION B/SE116
[SE110]



SECTION C/SE116
[SE110, SE116]

STAIR NOTES
 STRINGERS = C12x20.7
 HEADERS = HSS 7x4x3/8
 TREADS = 12 GA. PL W/ 2" FILL (TYP)
 LANDINGS = 12 GA. PL W/ 3" FILL
 ON 1 1/2 x 3/16 BAR GRATING
 GUARDRAILS = HSS 2x2x3/16 WITH
 BAR PICKETS 1/2 x 1/2 AT 4" O.C. MAX.
 HANDRAILS = PIPE 1/4" STD.

DESIGN REF: A-700, A-702
 ERECTION DWG. REF: SE110, SE111, SE112, SE113, SE114, SE115, SE117

PRINT RECORD					
Date	Quan.	For	Date	Quan.	For
DATE	APPROVAL				
DATE	FIELD USE				

STAIR NO. C02

Rev.	Date	Description	By

IRWIN STEEL
 15740 Highway 114 ~ Justin, Texas 76247
 Phone (817) 636-2508 ~ Fax (817) 636-2506

Job Name: CUSTOM PAN STAIR IN STEEL FRAME
 Location: CITY, TEXAS
 Customer: CONTRACTOR
 Architect: ARCHITECT

DRAWN: THX
 CHECKED: HAL
 JOB NO: 1138
 CAD NO:
 SHEET NO:
 SE116