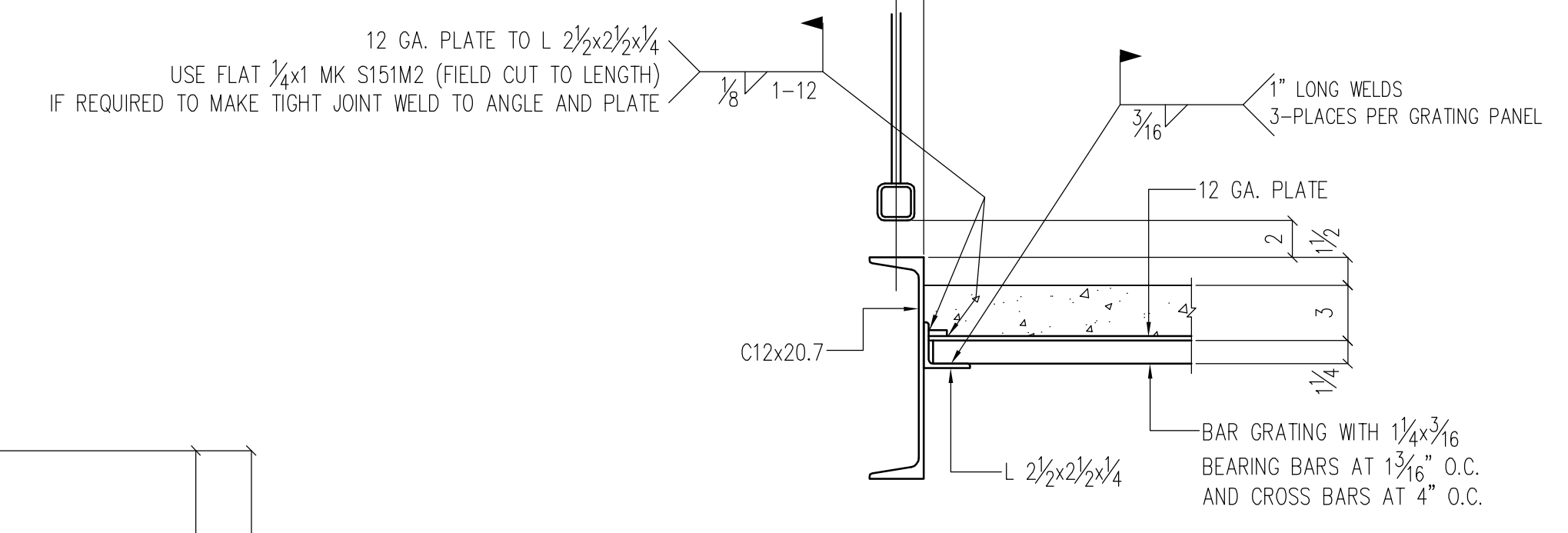
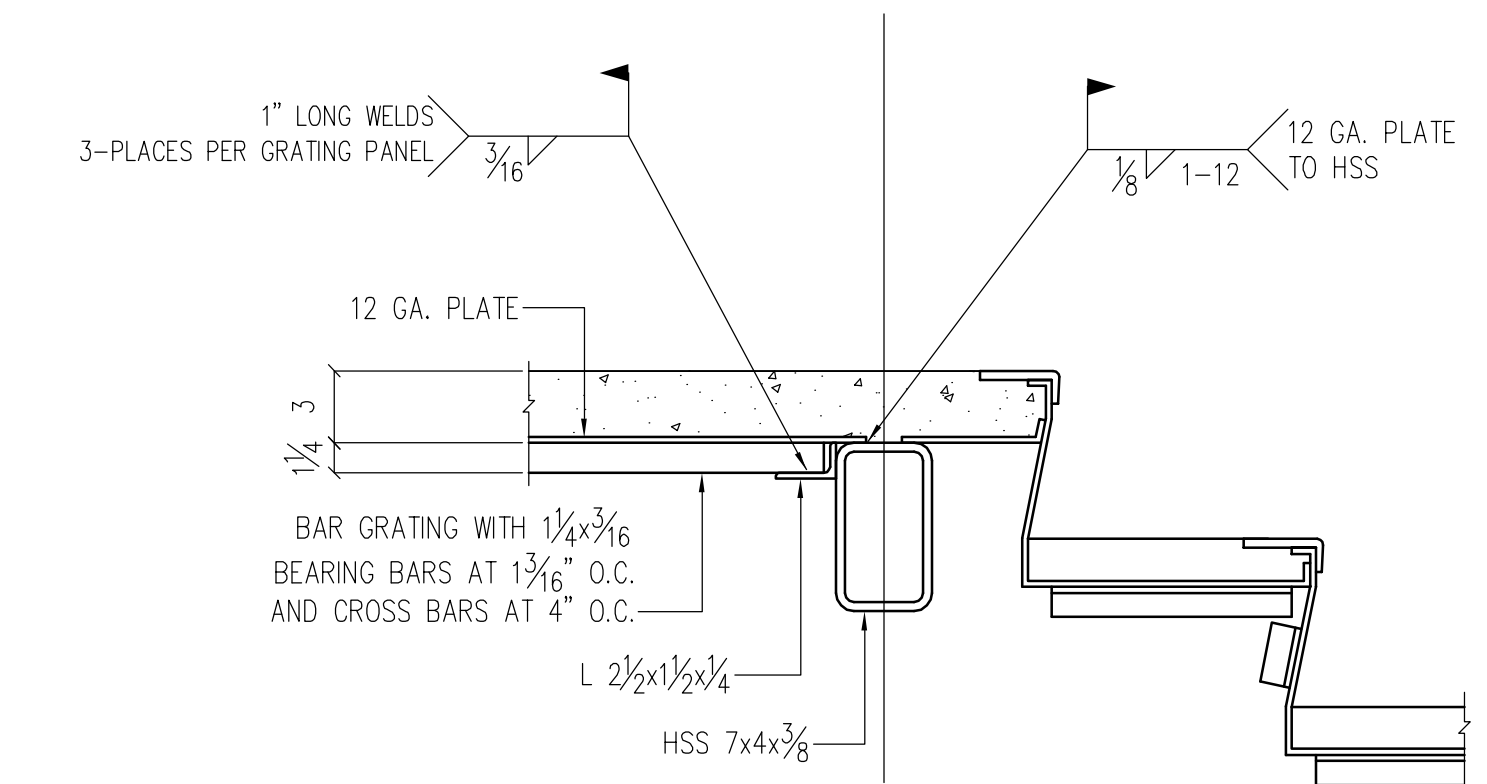


SECTION A/SE114 (AS SHOWN)
[SE110, SE111]

SECTION B/SE114 (OPP. HAND)
[SE110, SE111]



DETAIL-SECTION C/SE114
[SE110, SE111]



SECTION D/SE114
[SE110, SE111]

STAIR NOTES

STRINGERS = C12x20.7
 HEADERS = HSS 7x4x3/8
 TREADS = 12 GA. PL W/ 2" FILL (TYP)
 LANDINGS = 12 GA. PL W/ 3" FILL
 ON 1/4x3/16 BAR GRATING
 GUARDRAILS = HSS 2x2x3/16 WITH
 BAR PICKETS 1/2x1/2 AT 4" O.C. MAX.
 HANDRAILS = PIPE 1 1/4" STD.

DESIGN REF: A-700, A-702
 ERECTION DWG. REF: SE110, SE111, SE112, SE113, SE115, SE116, SE117

PRINT RECORD					
Date	Quan.	For	Date	Quan.	For
DATE		APPROVAL			
DATE		APPROVAL			

STAIR NO. C02

Rev.	Date	Description	By

IRWIN STEEL
 15740 Highway 114 ~ Justin, Texas 76247
 Phone (817) 636-2508 ~ Fax (817) 636-2506

Job Name: CUSTOM PAN STAIR IN STEEL FRAME
 Location: CITY, TEXAS
 Customer: CONTRACTOR
 Architect: ARCHITECT

DRAWN: THX
 CHECKED: HAL

JOB NO: 1138
 CAD NO:

DATE A

SHEET NO. SE114