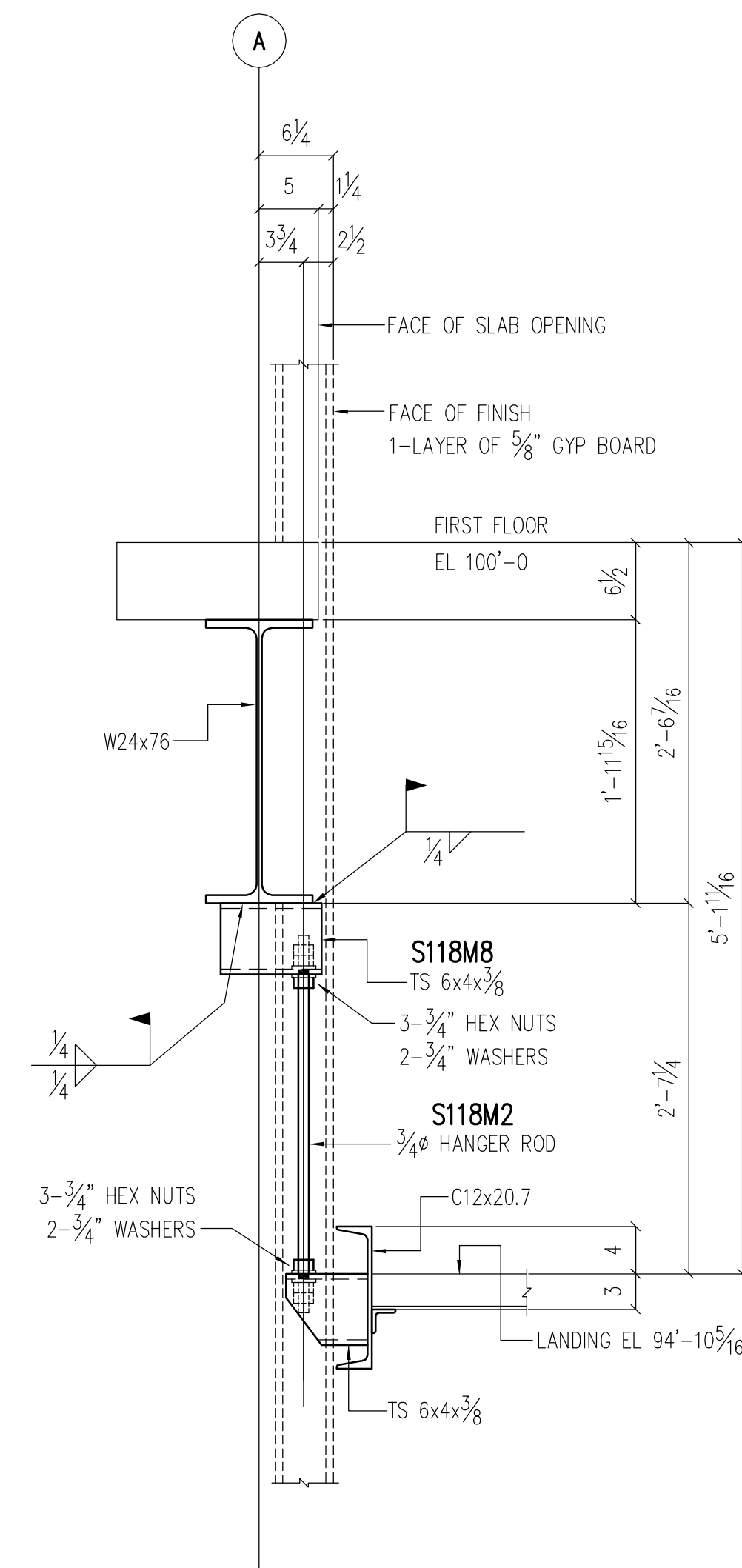
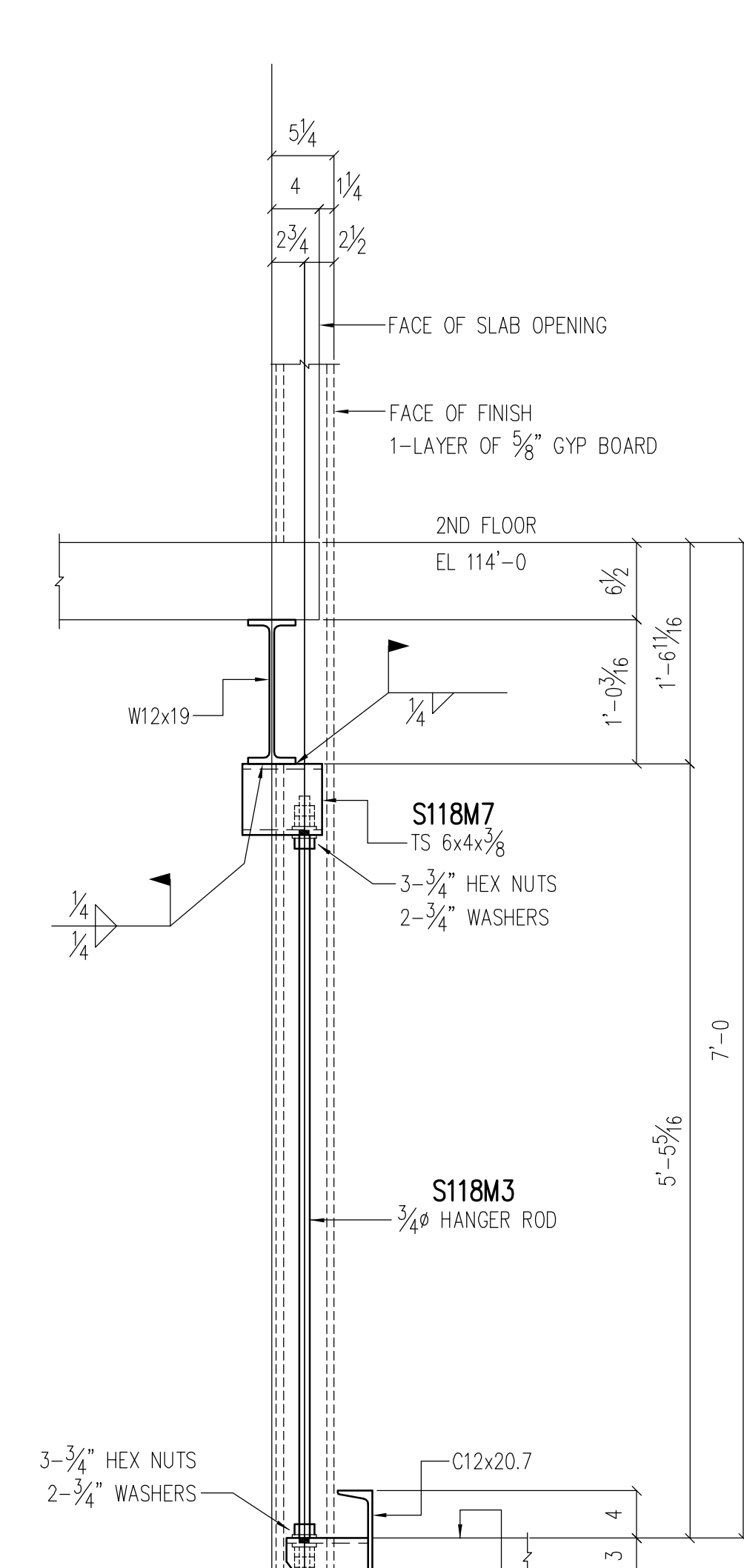


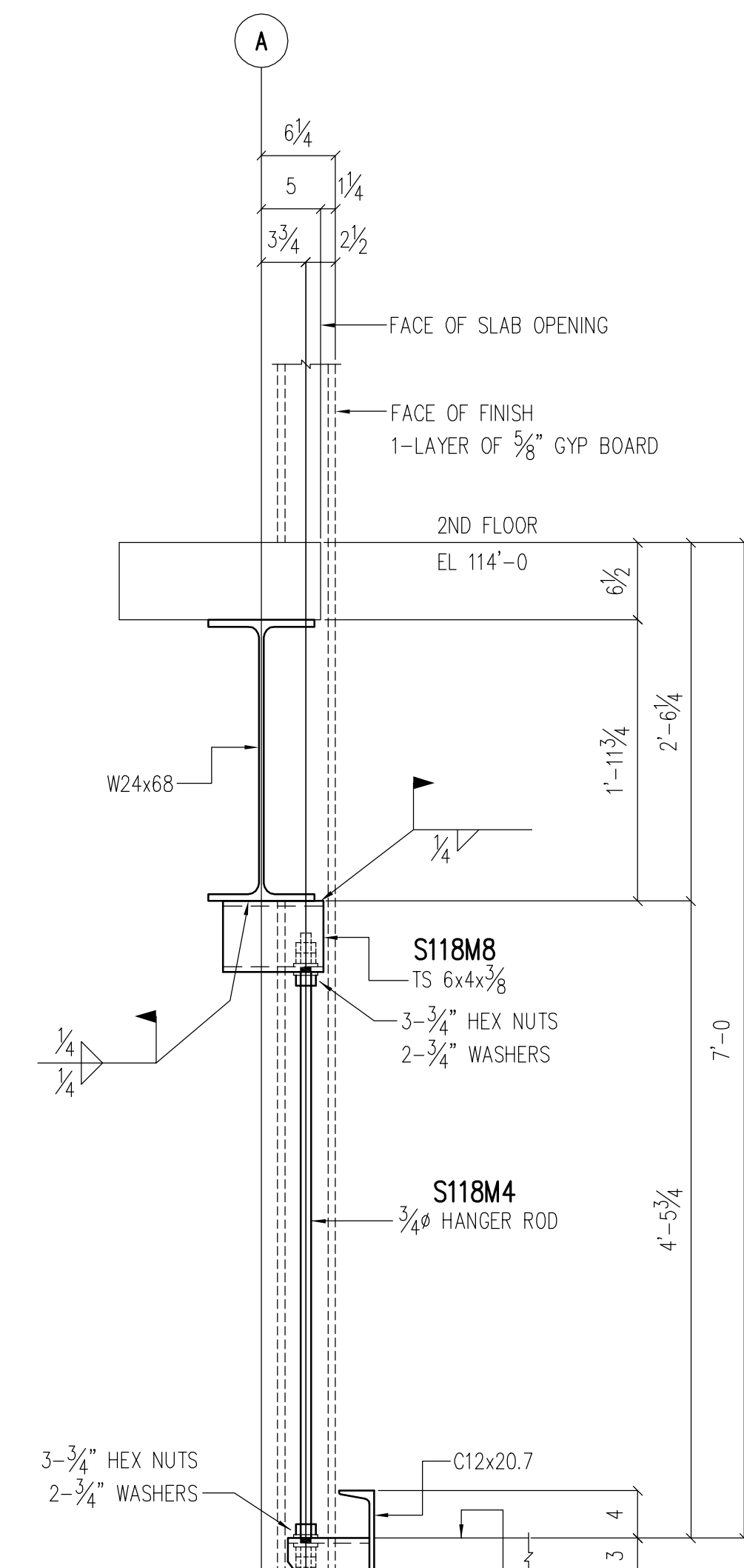
SECTION A/SE106
[SE101]



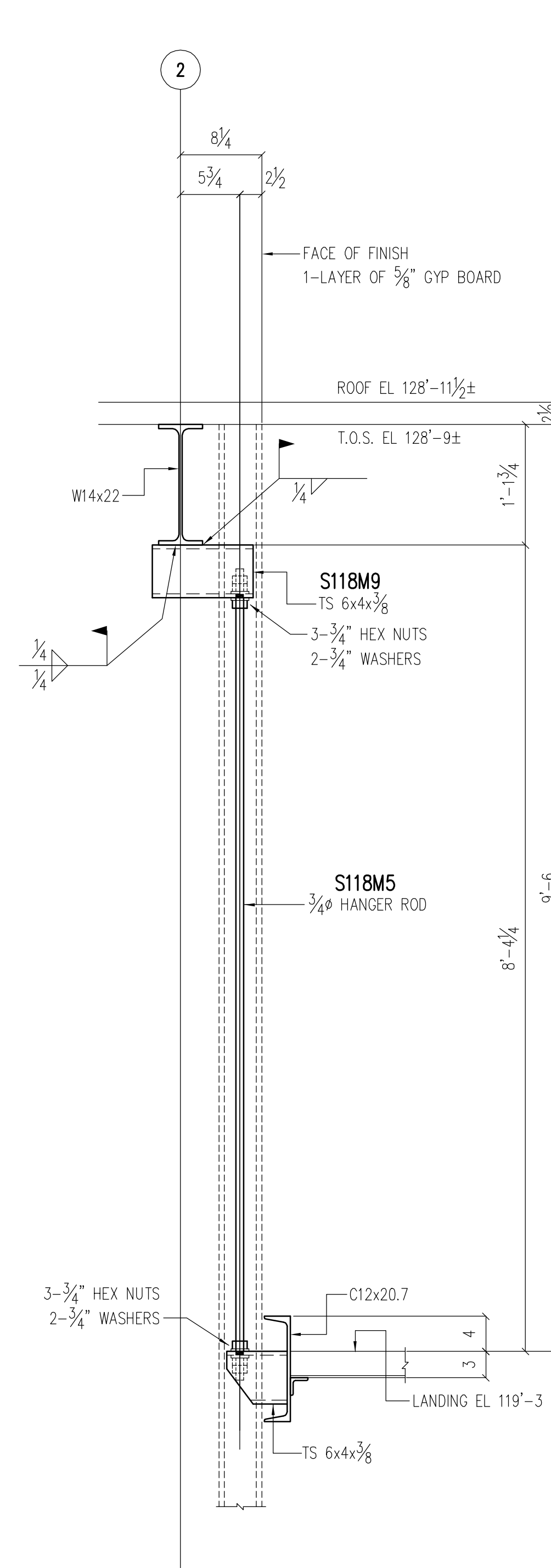
SECTION B/SE106
[SE101]



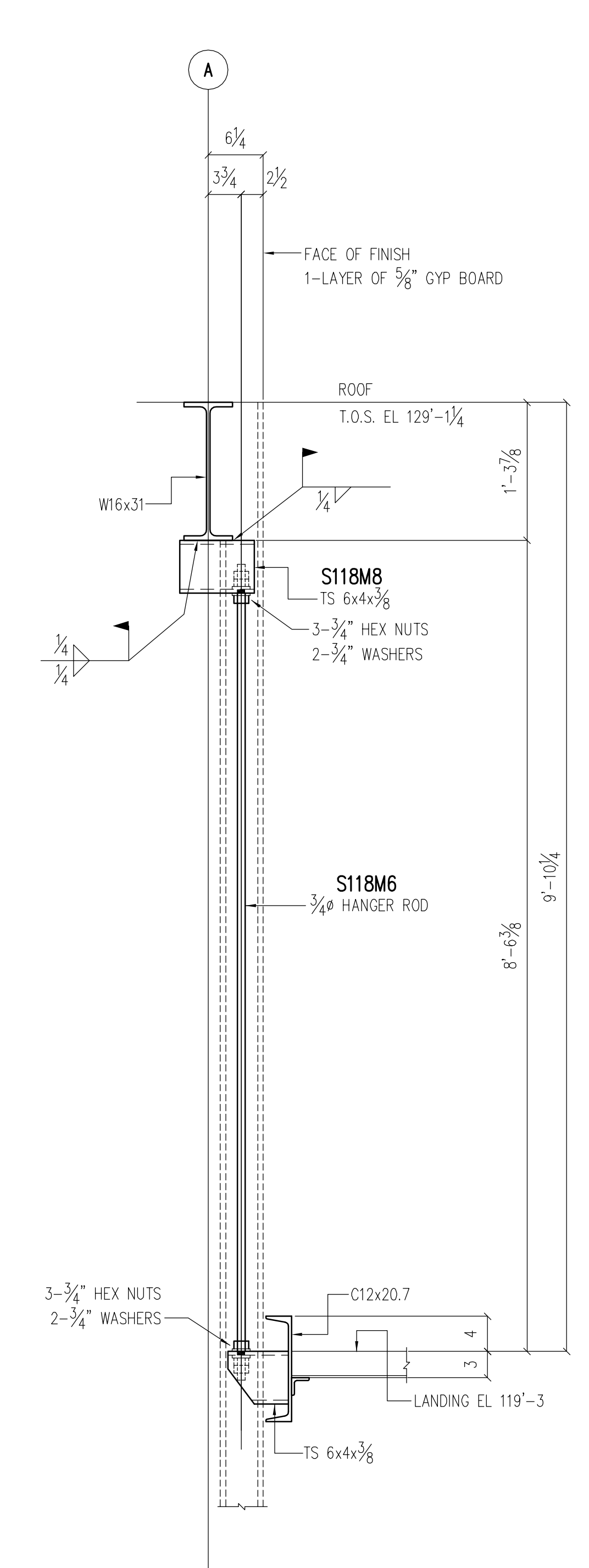
SECTION C/SE106
[SE102]



SECTION D/SE106
[SE102]



SECTION E/SE106
[SE102, SE103]



SECTION F/SE106
[SE102, SE103]

STAIR NO. 2 - AREA A DATE

Rev.	Date	Description	By

IRWIN STEEL
15740 Highway 114 ~ Justin, Texas 76247
Phone (817) 636-2508 ~ Fax (817) 636-2506

Job Name: STANDARD PAN STAIR IN STEEL FRAME
Location: CITY, TEXAS
Customer: CONTRACTOR
Architect: ARCHITECT

DRAWN: THX JOB NO: 1138 SHEET NO:
CHECKED: HAL CAD NO: SE106

REF: A702

PRINT RECORD					
Date	Quan.	For	Date	Quan.	For