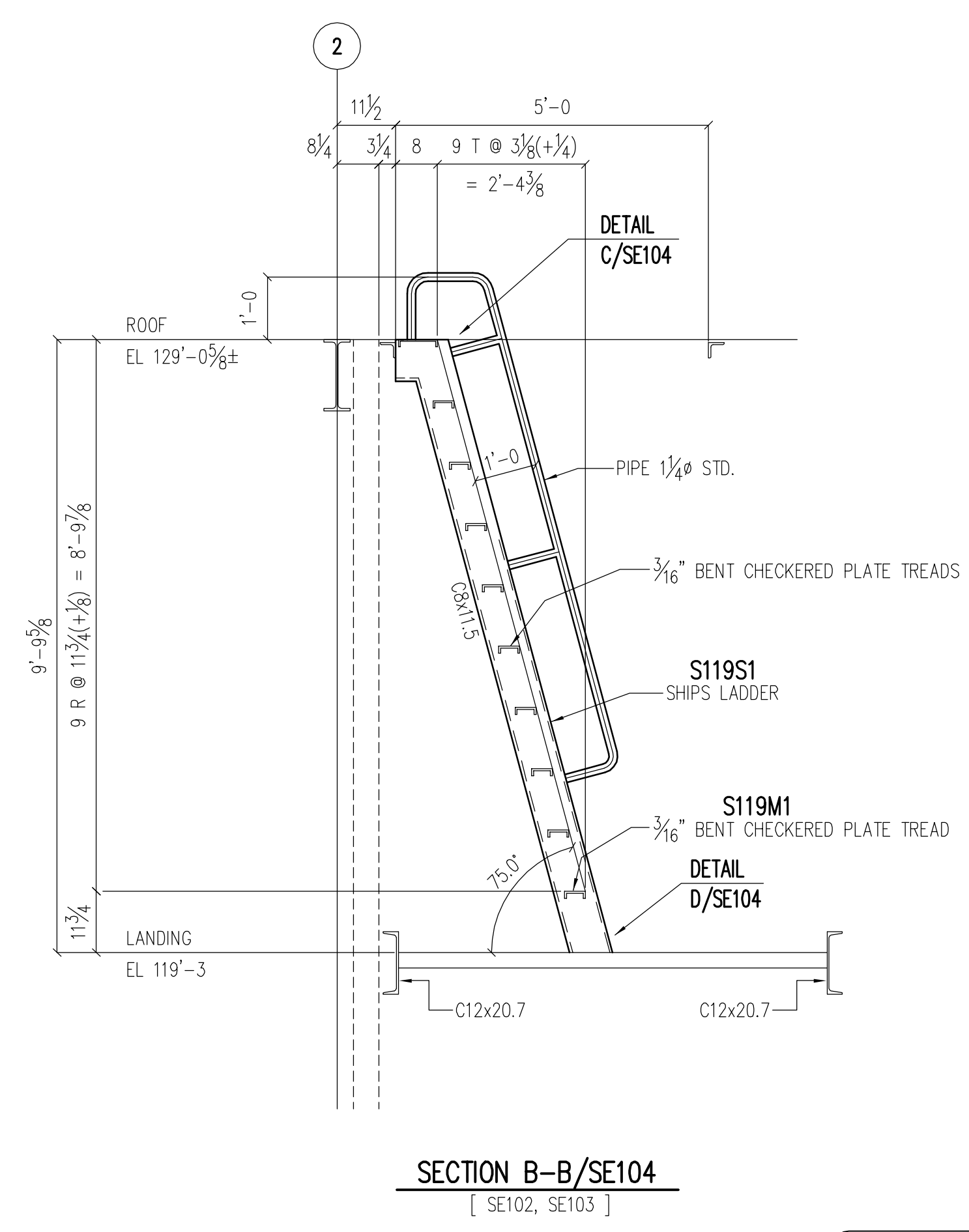
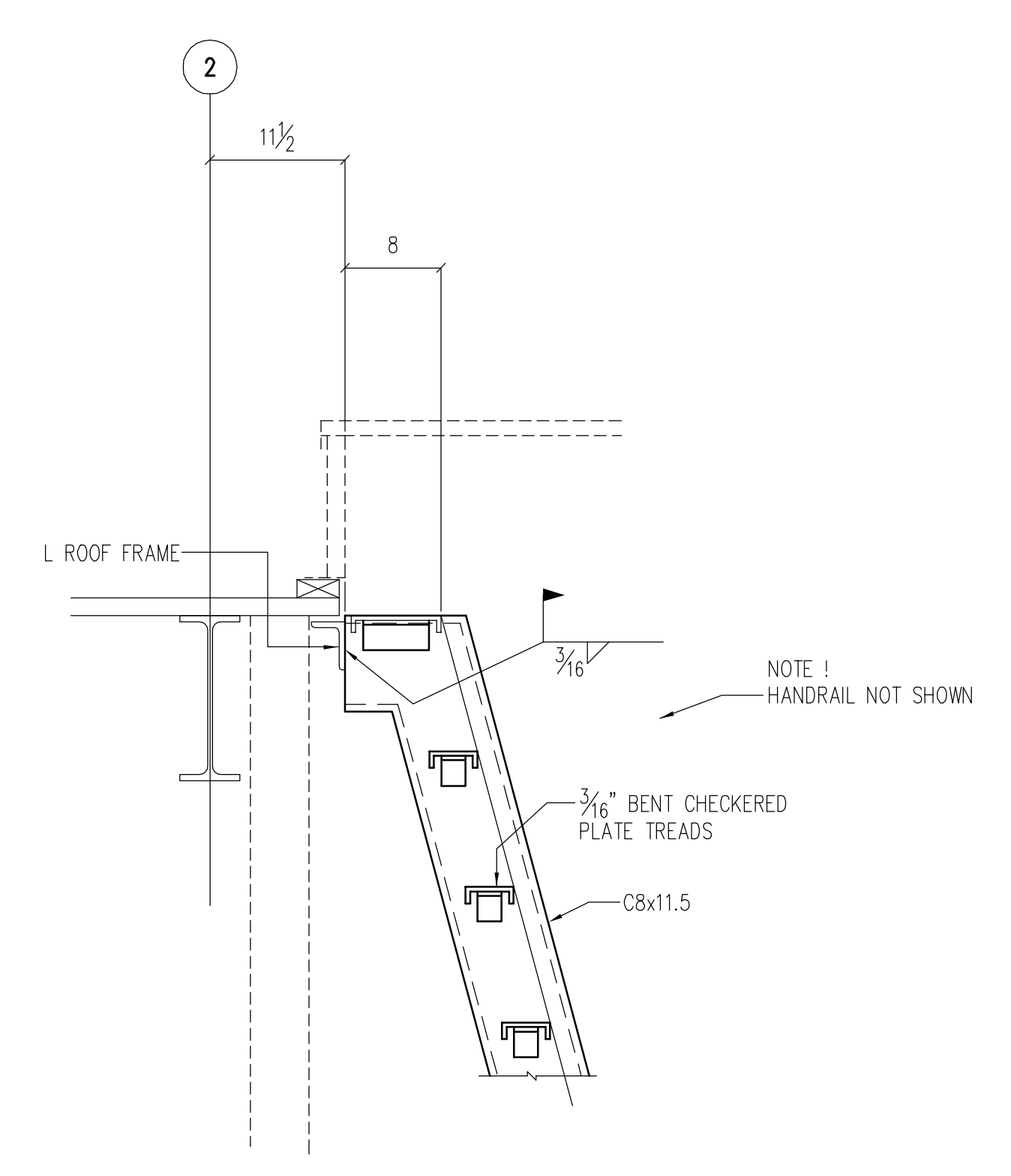


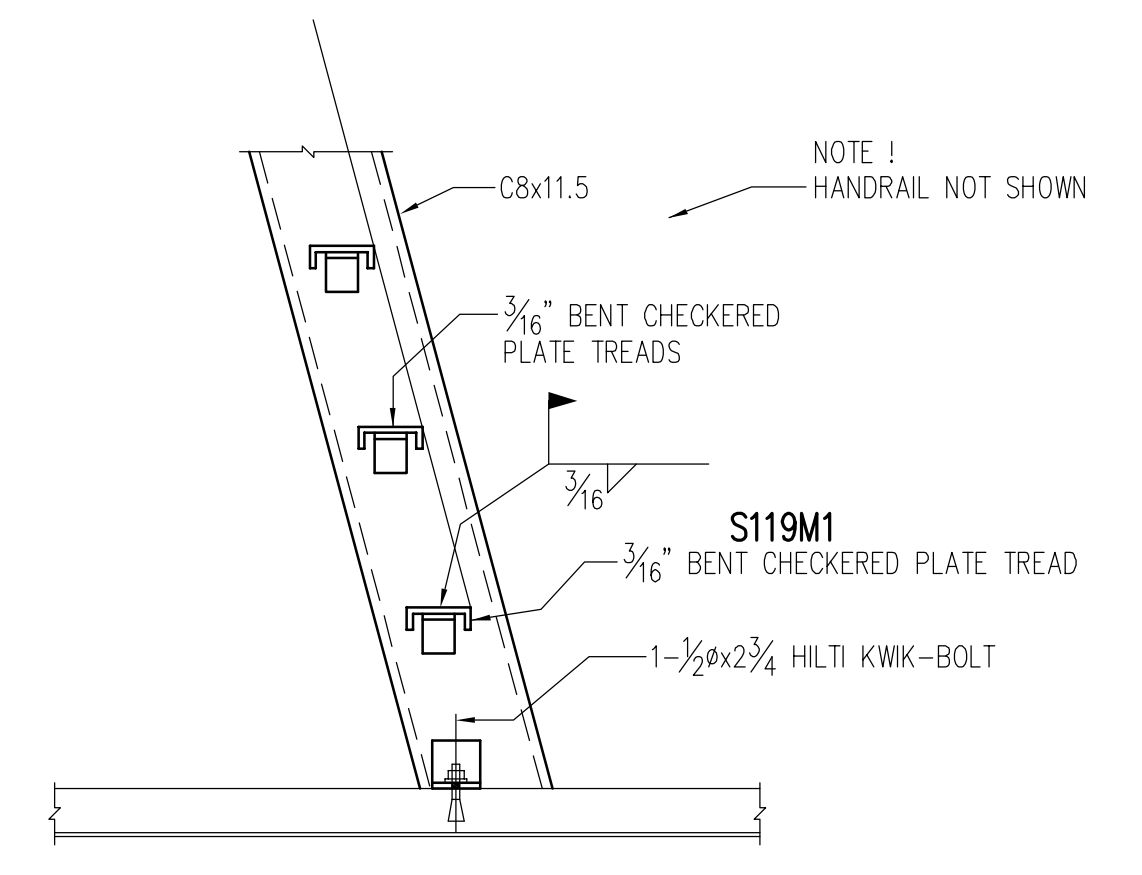
SECTION A-A/SE104 (STAIR NO. 2 - LOOKING NORTH)
[SE101, SE102]



SECTION B-B/SE104
[SE102, SE103]



DETAIL C/SE104
[SE104]



DETAIL D/SE104
[SE104]

FIELD NOTE !
REMOVE EXISTING BENT PL 1/4" POUR STOP AT TOP OF W16x26 AND GRIND AS REQUIRED FOR STAIR TO BEAR.
DO NOT REMOVE THE FL 1/2x4 1/2 FROM THE TOP OF BEAM AT THE NORTH END.

THIS STAIR HAS A CUSTOM WIRE FABRIC RAIL SYSTEM. THIS TYPE OF RAIL SYSTEM CAN EASILY BE ACCOMMODATED. WE RECOMMEND AGAINST GALVANIZING THIS TYPE OF RAIL.

FOR A STANDARD PIPE RAIL SYSTEM, REVIEW THE RAILS DETAILED WITH THE STAIRS IN A CONCRETE FRAME SET OF PDF.

FIELD NOTE !
REMOVE EXISTING BENT PL 1/4" POUR STOP AND TUBES HSS 3x1 1/2x3/16 AT TOP OF W16x31 AND GRIND AS REQUIRED FOR STAIR TO BEAR.
DO NOT REMOVE THE FL 3/8x4 1/2 FROM THE TOP OF BEAM AT THE NORTH END.

OPTIONAL SHIPS LADDER

STAIR NO. 2 - AREA A

Rev.	Date	Description	By

IRWIN STEEL
15740 Highway 114 ~ Justin, Texas 76247
Phone (817) 636-2508 ~ Fax (817) 636-2506

REF: A702

PRINT RECORD					
Date	Quan.	For	Date	Quan.	For
DATE		APPROVAL			
DATE		FIELD USE			

Job Name: STANDARD PAN STAIR IN STEEL FRAME
Location: CITY, TEXAS
Customer: CONTRACTOR
Architect: ARCHITECT

DRAWN: THX
CHECKED: HAL
JOB NO: 1138
CAD NO:
SHEET NO: SE104