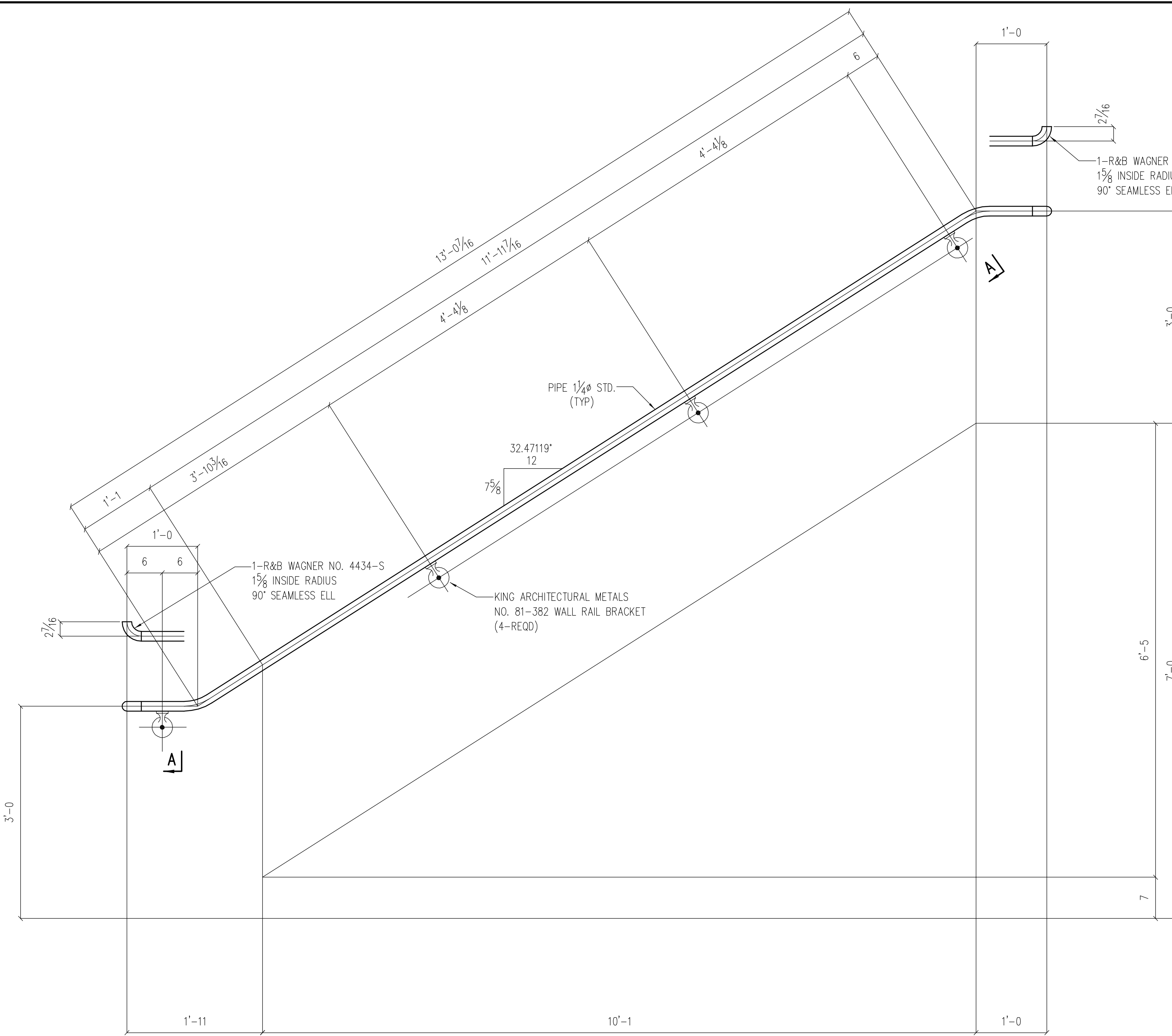
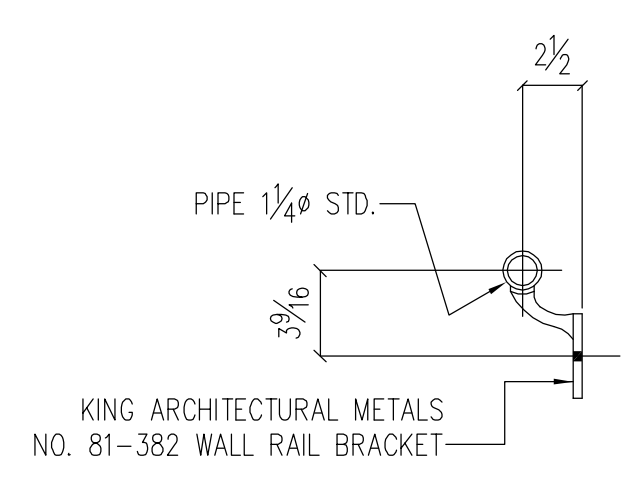


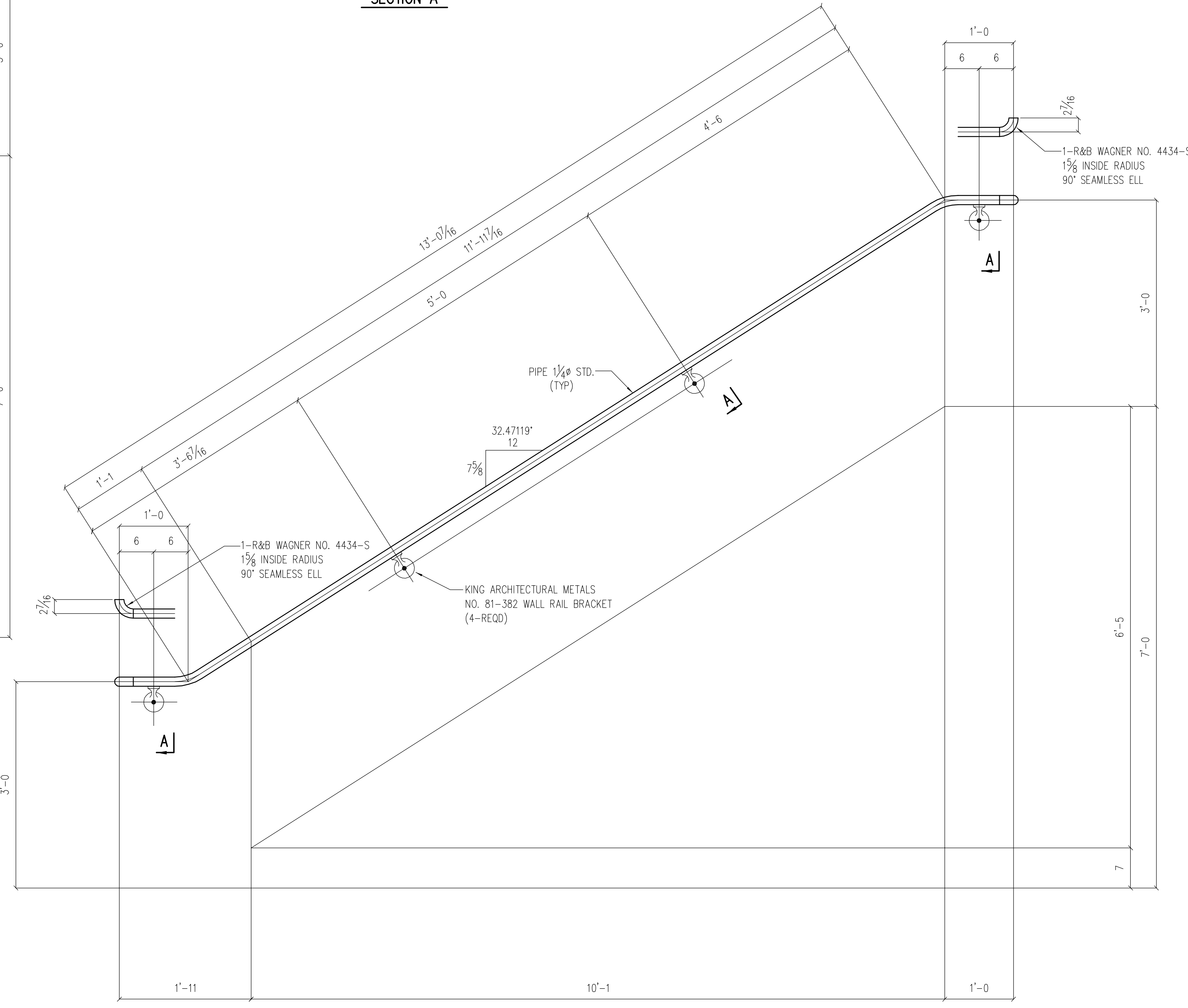
Line	Mark	No.	Tot	Description	Length Ft	In	Piece Mark	Remarks	Weight	Order Item
1	S242H1	2		WALL RAILS						
2		1	2	PIPE 1 1/4" STD.	15	LN. FT.		A53B		
3		2	4	R&B WAGNER NO. 4434-S 90° SEAMLESS ELL				OR EQUAL		
4		4	8	KING ARCHITECTURAL METALS NO. 81-382 WALL RAIL BRACKET				OR EQUAL		
5										
6	S242H2	2		WALL RAILS						
7		1	2	PIPE 1 1/4" STD.	15	LN. FT.		A53B		
8		2	4	R&B WAGNER NO. 4434-S 90° SEAMLESS ELL				OR EQUAL		
9		4	8	KING ARCHITECTURAL METALS NO. 81-382 WALL RAIL BRACKET				OR EQUAL		
10										



2 WALL RAILS S242H1
8 - LAG BOLTS 3/8"x3"



SECTION A



2 WALL RAILS S242H2
8 - LAG BOLTS 3/8"x3"

SHOP NOTE !
1. ALL PIPE BENDS, 3 3/16" AT CENTERLINE.
2. WELD ALL JOINTS AND GRIND SMOOTH.

SHOP NOTES
1. ALL STEEL A36 U.S.

PAINT: 1 SHOP COAT

ERECTION DRAWING REF: SE200-SE208D

Date	Quan.	For	Date	Quan.	For
DATE		SHOP			
DATE		APPROVAL			

STAIR NO. 2 WALL RAILS

Rev.	Date	Description	By

IRWIN STEEL
15740 Highway 114 ~ Justin, Texas 76247
Phone (817) 636 2508 ~ Fax (817) 636 2506

Job Name: STANDARD PAN STAIR IN CONCRETE FRAME
Location: CITY, TEXAS
Customer: CONTRACTOR
Architect: ARCHITECT

DRAWN: THX JOB NO: 1138 SHEET NO: S242
CHECKED: HAL CAD NO: DATE: S