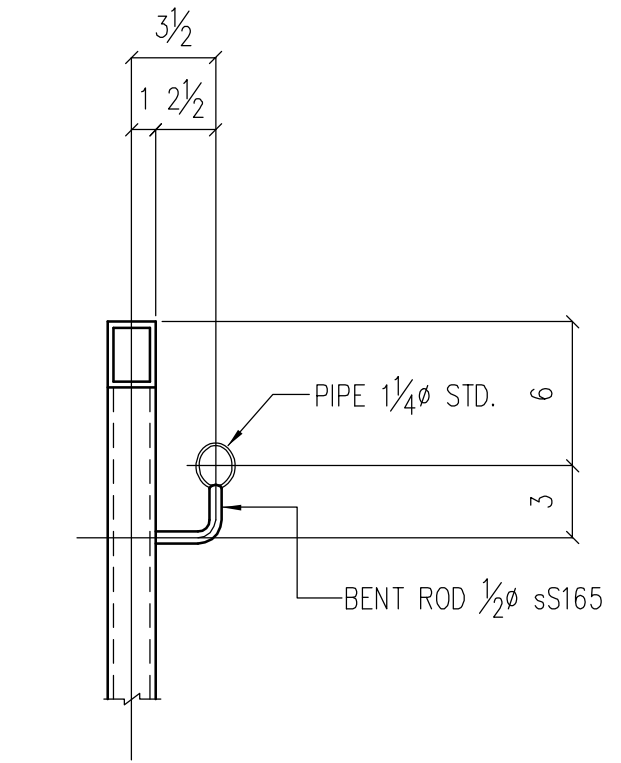
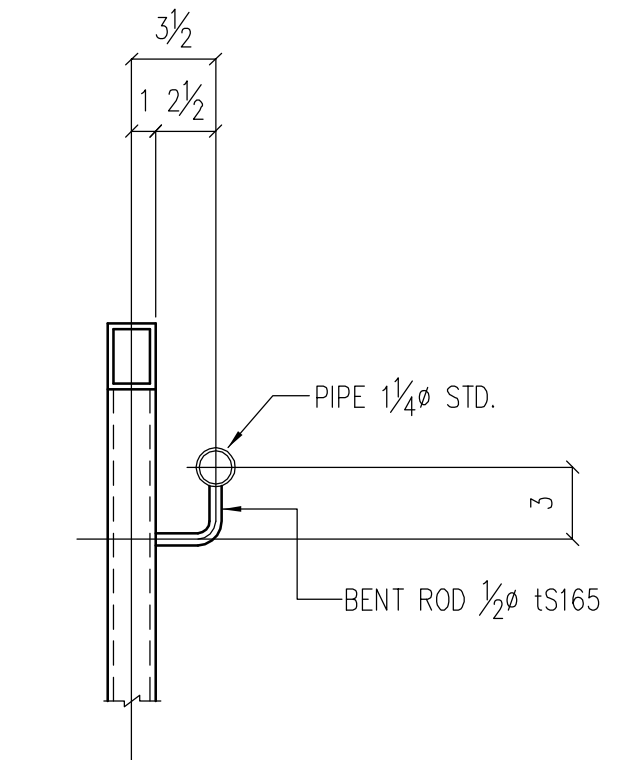


ONE HANDRAIL S167H1



SECTION A



SECTION B

SHOP NOTE !
 1. ALL PIPE BENDS, 3 3/16" AT CENTERLINE.
 2. WELD ALL PIPE AND TUBE JOINTS AND GRIND SMOOTH.
 3. ALL STEEL A36 U.N.
 4. PAINT - 1 SHOP COAT

Line	Mark	No.	Tot	Description	Length Ft In	Piece Mark	Remarks	Weight	Order Item
1	S167H1	1		HANDRAIL					
2		1	1	HSS 2x2x3/16	13	1	aS166	A500B	
3		2	2	HSS 2x2x3/16	3	3 3/8	bS165	A500B	
4		1	1	HSS 2x2x3/16	3	2 1/2	cS165	A500B	
5		1	1	HSS 2x2x3/16	3	4 1/2	bS166	A500B	
6		1	1	HSS 2x2x3/16	4	1 1/16	tS165	A500B	
7		1	1	HSS 2x2x3/16	4	3 1/16	gS165	A500B	
8		1	1	HSS 2x2x3/16	4	6 1/8	cS166	A500B	
9		1	1	HSS 2x2x3/16	0	5 3/8	kS165	A500B	
10		1	1	HSS 2x2x3/16	0	5 1/2	mS165	A500B	
11		1	1	HSS 2x2x3/16	0	4 3/8	nS165	A500B	
12		1	1	HSS 2x2x3/16	0	6 1/8	aS167	A500B	
13		1	1	HSS 2x2x3/16	0	2 1/16	bS167	A500B	
14		31	31	BAR 1/2x1/2	2	9 1/16	pS165		
15		1	1	BAR 1/2x1/2	2	10 1/2	cS167		
16		1	1	BAR 1/2x1/2	2	10 3/8	dS167		
17		2	2	BENT ROD 1/2"	0	4 3/8	eS165		
18		2	2	BENT ROD 1/2"	0	4 3/8	tS165		
19		1	1	PIPE 1/4" STD.	15	LN. FT.		A53B	
20									

STAIR NO. C02 - CITY HALL

Rev.	Date	Description	By

IRWIN STEEL
 15740 Highway 114 ~ Justin, Texas 76247
 Phone (817) 636-2508 ~ Fax (817) 636-2506

ERECTION DWG. REF: SE110-SE117

PRINT RECORD					
Date	Quan.	For	Date	Quan.	For

Job Name:	CUSTOM PAN STAIR IN STEEL FRAME	
Location:	CITY, TEXAS	
Customer:	CONTRACTOR	
Architect:	ARCHITECT	
DRAWN: THX	JOB NO: 1138	SHEET NO:
CHECKED: HAL	CAD NO:	S167