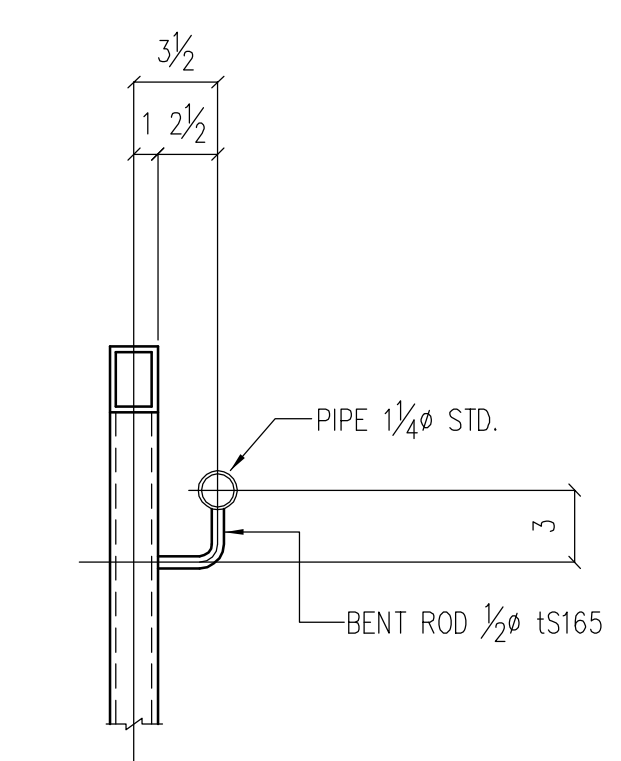


SECTION A



SECTION B

Line	Mark	No.	Tot	Description	Length Ft	In	Piece Mark	Remarks	Weight	Order Item
1	S166H1	1		HANDRAIL						
2		1	1	HSS 2x2x3/16	13		1	aS166	A500B	
3		2	2	HSS 2x2x3/16	3	3 3/8		bS165	A500B	
4		1	1	HSS 2x2x3/16	3	2 1/2		cS165	A500B	
5		1	1	HSS 2x2x3/16	3	4 1/2		bS166	A500B	
6		1	1	HSS 2x2x3/16	4	1 1/16		fS165	A500B	
7		1	1	HSS 2x2x3/16	4	3 1/16		gS165	A500B	
8		1	1	HSS 2x2x3/16	4	6 1/8		cS166	A500B	
9		1	1	HSS 2x2x3/16	0	5 1/2		mS165	A500B	
10		1	1	HSS 2x2x3/16	0	5 1/2		dS166	A500B	
11		1	1	HSS 2x2x3/16	0	4 1/16		fS166	A500B	
12		1	1	HSS 2x2x3/16	0	5 1/16		gS166	A500B	
13		1	1	HSS 2x2x3/16	0	2 1/16		hS166	A500B	
14		31	31	BAR 1/2x1/2	2	9 1/16		pS165		
15		1	1	BAR 1/2x1/2	2	10 1/16		kS166		
16		1	1	BAR 1/2x1/2	2	10 1/2		mS166		
17		2	2	BENT ROD 1/2	0	4 5/8		sS165		
18		2	2	BENT ROD 1/2	0	4 5/8		tS165		
19		1	1	PIPE 1/4 STD.	15	LIN. FT.			A53B	
20										

ONE HANDRAIL S166H1

**SHOP NOTE !**  
 1. ALL PIPE BENDS, 3/16" AT CENTERLINE.  
 2. WELD ALL PIPE AND TUBE JOINTS AND GRIND SMOOTH.  
 3. ALL STEEL A36 U.N.  
 4. PAINT - 1 SHOP COAT

ERECTION DWG. REF: SE110-SE117

PRINT RECORD					
Date	Quan.	For	Date	Quan.	For
DATE		APPROVAL			
DATE		SHOP			

STAIR NO. C02 - CITY HALL

Rev.	Date	Description	By

**IRWIN STEEL**  
 15740 Highway 114 ~ Justin, Texas 76247  
 Phone (817) 636-2508 ~ Fax (817) 636-2506

Job Name: CUSTOM PAN STAIR IN STEEL FRAME  
 Location: CITY, TEXAS  
 Customer: CONTRACTOR  
 Architect: ARCHITECT

DRAWN: THX	JOB NO: 1138	SHEET NO:
CHECKED: HAL	CAD NO:	S166