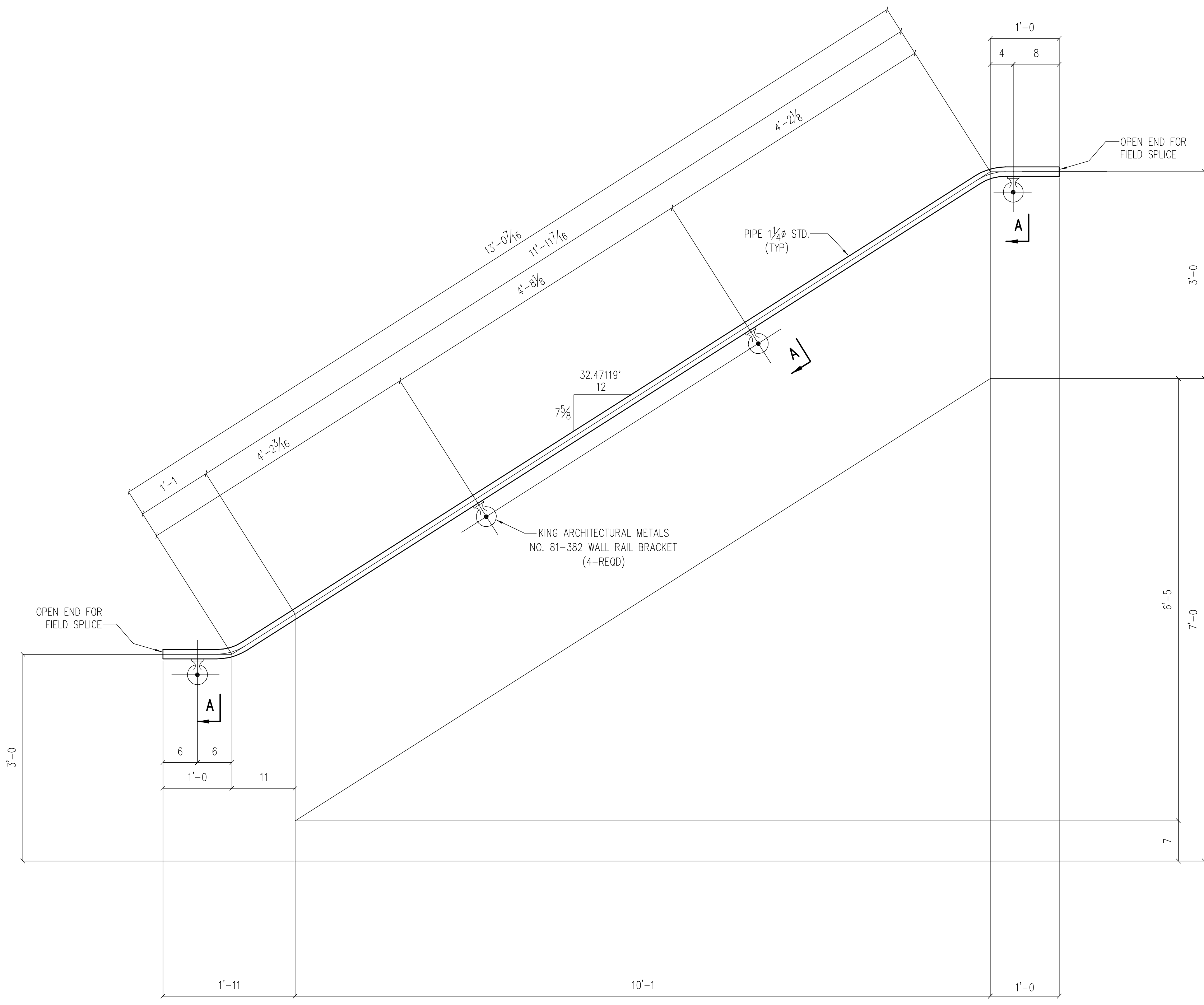
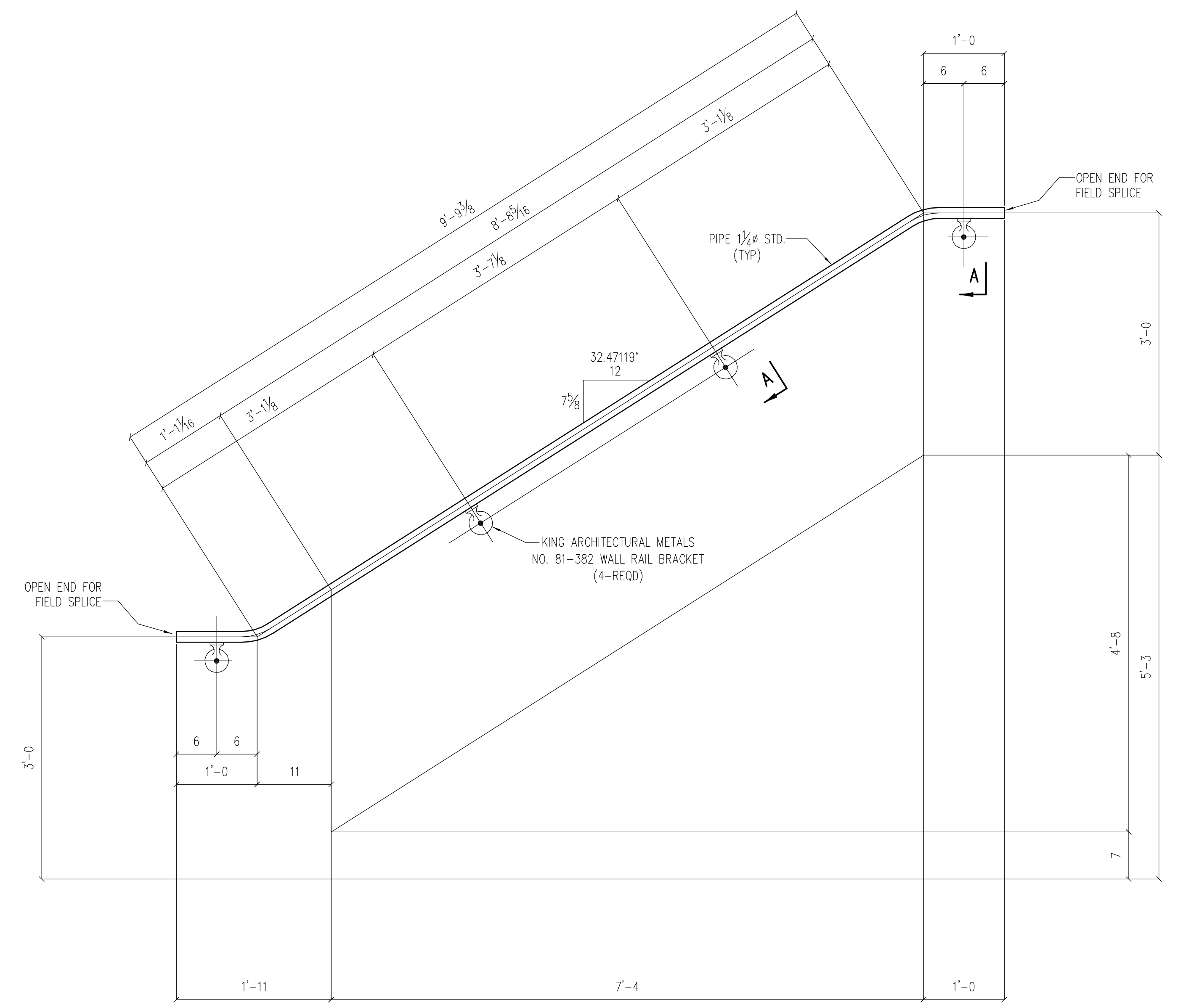
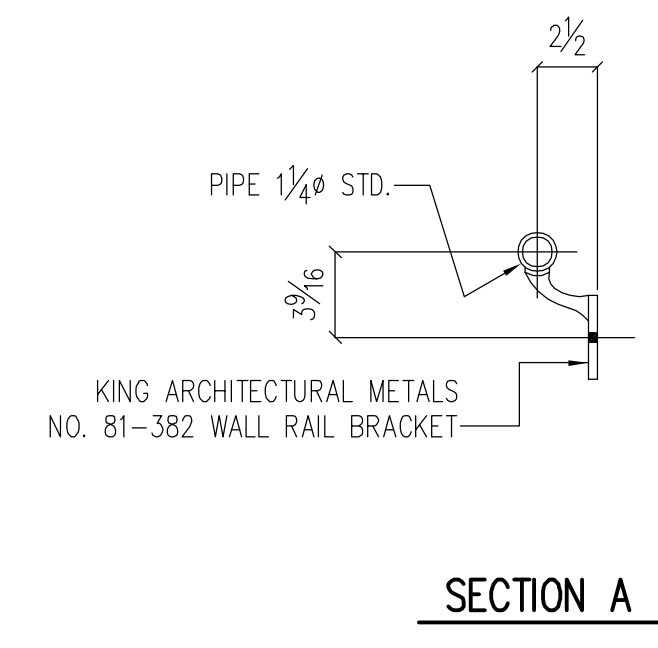


Line	Mark	No.	Tot	Description	Length		Piece Mark	Remarks	Weight	Order Item
					Ft	In				
1	S126H1	1		WALL RAIL						
2		1	1	PIPE 1 1/4" STD.	16	UN. FT.		A53B		
3		4	4	KING ARCHITECTURAL METALS NO. 81-382 WALL RAIL BRACKET				OR EQUAL		
4										
5										
6	S126H2	1		WALL RAIL						
7		1	1	PIPE 1 1/4" STD.	12	UN. FT.		A53B		
8		4	4	KING ARCHITECTURAL METALS NO. 81-382 WALL RAIL BRACKET				OR EQUAL		
9										
10										
11										
12										
13										
14										
15										



ONE WALL RAIL S126H1
 4 - LAG BOLTS 3/8"x2 1/2"



ONE WALL RAIL S126H2
 4 - LAG BOLTS 3/8"x2 1/2"

SHOP NOTE !
 1. ALL PIPE BENDS, 3 3/16" AT CENTERLINE.
 2. WELD ALL PIPE JOINTS AND GRIND SMOOTH.
 3. ALL STEEL A36 U.I.N.
 4. PAINT - 1 SHOP COAT

REF: SE101-SE108

PRINT RECORD					
Date	Quan.	For	Date	Quan.	For
DATE		APPROVAL			
		SHOP			

STAIR NO. 2 - AREA A

Rev.	Date	Description	By

IRWIN STEEL
 15740 Highway 114 ~ Justin, Texas 76247
 Phone (817) 636-2508 ~ Fax (817) 636-2506

Job Name: STANDARD PAN STAIR IN STEEL FRAME
 Location: CITY, TEXAS
 Customer: CONTRACTOR
 Architect: ARCHITECT

DRAWN: THX JOB NO: 1138 SHEET NO:
 CHECKED: HAL CAD NO: S126