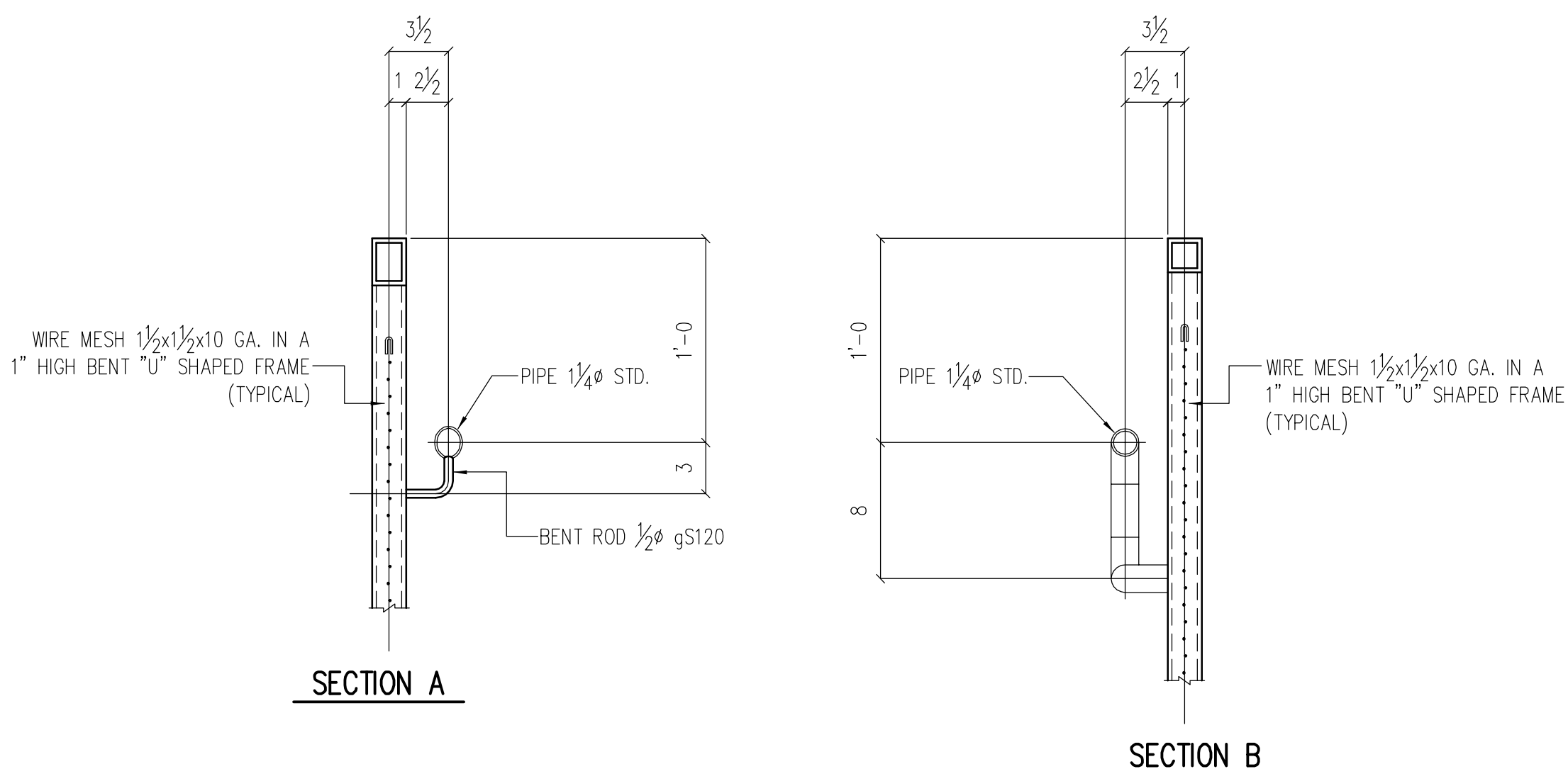


ONE HANDRAIL S124H1



Line	Mark	No.	Tot	Description	Length		Piece Mark	Remarks	Weight	Order Item
					Ft	In				
1	S124H1	1		HANDRAIL						
2		1	1	HSS 2x2x3/16	9	9 15/16	aS124	A500		
3		1	1	HSS 2x2x3/16	0	8 13/16	bS122	A500		
4		2	2	HSS 2x2x3/16	3	8	cS122	A500		
5		1	1	HSS 2x2x3/16	3	8 9/16	dS122	A500		
6		1	1	HSS 2x2x3/16	0	6 1/2	bS124	A500		
7		1	1	PIPE 1/4\"/>						

SHOP NOTE !
 1. ALL PIPE BENDS, 3 3/16\"/>

STAIR NO. 2 - AREA A

Rev.	Date	Description	By

IRWIN STEEL
 15740 Highway 114 ~ Justin, Texas 76247
 Phone (817) 636-2508 ~ Fax (817) 636-2506

REF: SE101-SE108

PRINT RECORD					
Date	Quan.	For	Date	Quan.	For
DATE		APPROVAL			
DATE		SHOP			

Job Name:	STANDARD PAN STAIR IN STEEL FRAME
Location:	CITY, TEXAS
Customer:	CONTRACTOR
Architect:	ARCHITECT
DRAWN:	THX
CHECKED:	HAL
JOB NO.:	1138
CAD NO.:	
SHEET NO.:	S124