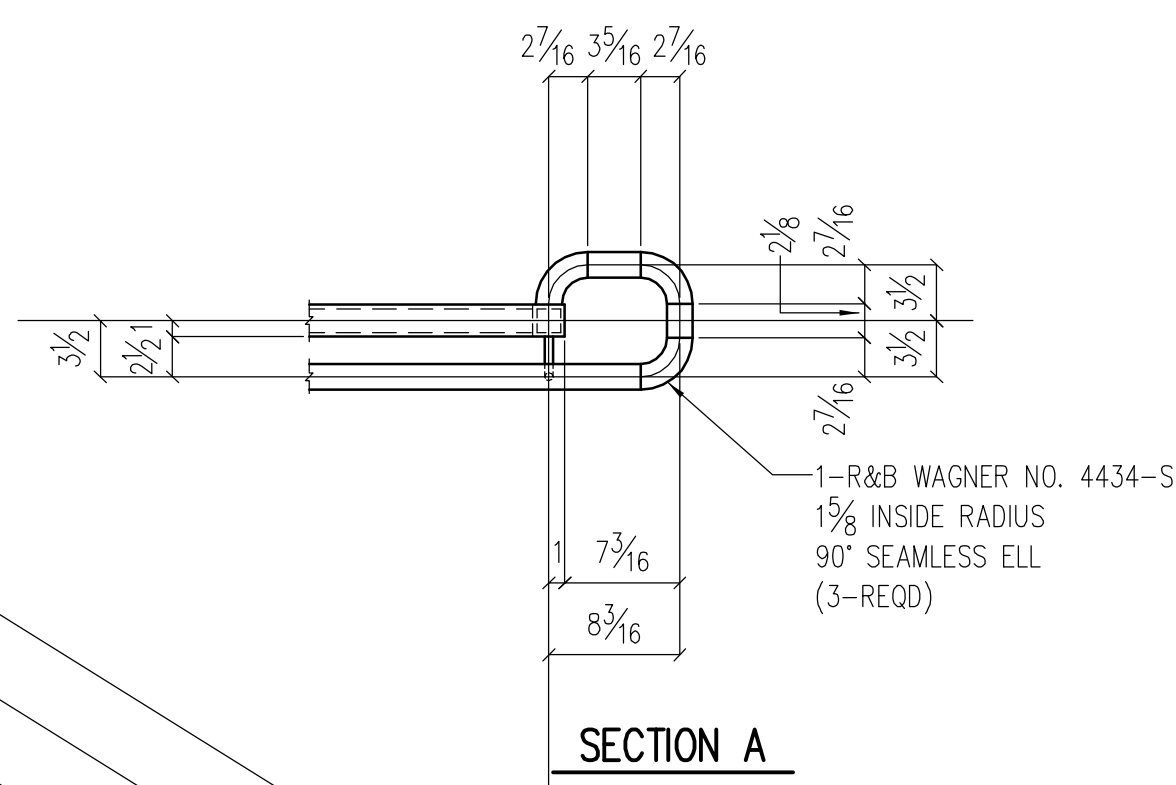
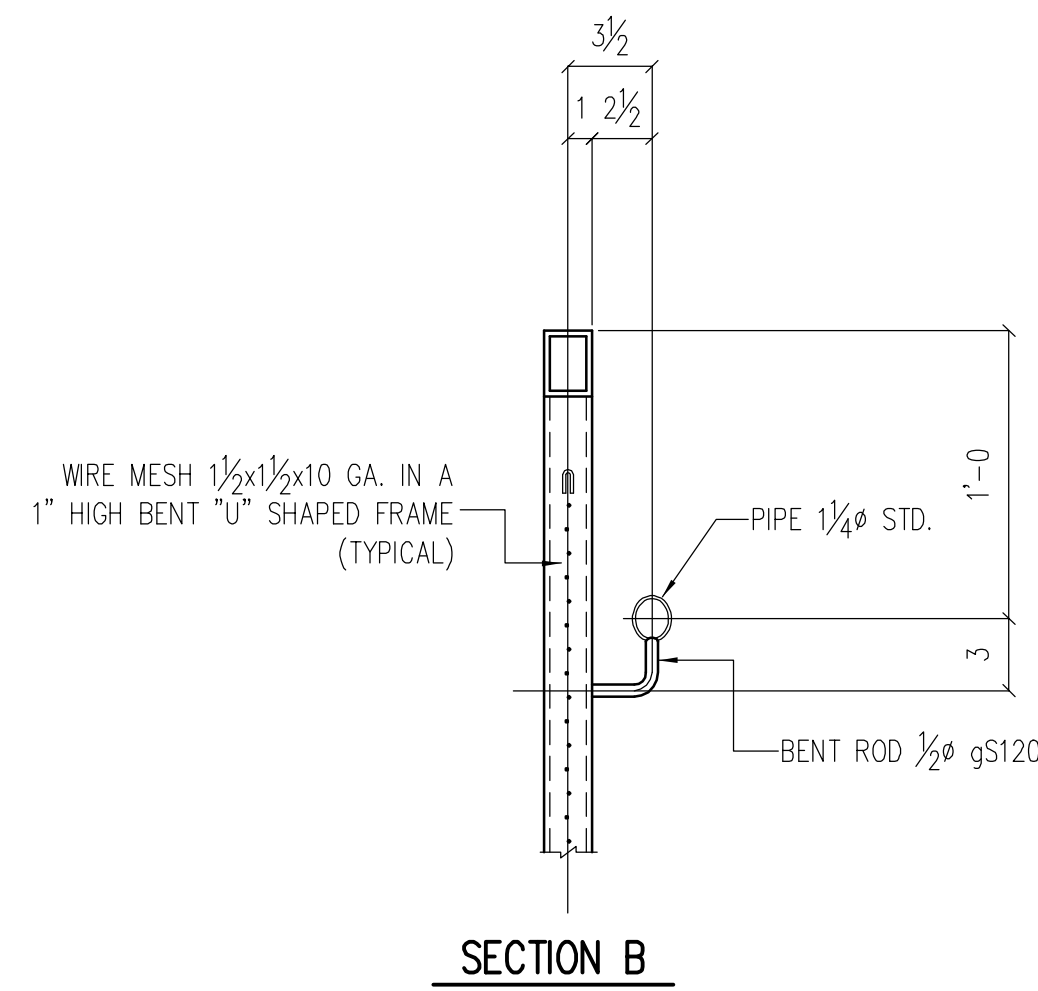


ONE HANDRAIL S120H1



Line	Mark	No.	Tot	Description	Length Ft	Piece Mark	Remarks	Weight	Order Item
1	S120H1	1		HANDRAIL					
2		1	1	HSS 2x2x3/16	12	11 5/16	aS120	A500	
3		1	1	HSS 2x2x3/16	3	9 5/8	bS120	A500	
4		2	2	HSS 2x2x3/16	3	8 9/16	cS120	A500	
5		1	1	HSS 2x2x3/16	3	8 1/16	dS120	A500	
6		1	1	HSS 2x2x3/16	0	4 1/2	fS120	A500	
7		1	1	PIPE 1 1/4 STD.	15		LN FL	A53B	
8		4	4	BENT ROD 1/2	0	4 3/8 ±	gS120		
9		12	12	FL 1/4x2 1/2	0	3	hS120		
10		3	3	R & B WAGNER NO. 4434-S 1 5/8" INSIDE RAD., 90° ELL				SEAMLESS	
11		2	2	WIRE MESH PANEL			S120P1		
12		1	1	WIRE MESH PANEL			S120P2		
13									
14									
15									
16									
17									
18									
19									
20									
21									
22									
23									
24									
25									
26									
27									
28									
29									
30									
31									
32									
33									
34									
35									
36									
37									
38									
39									
40									
41									
42									
43									
44									
45									
46									
47									
48									
49									
50									
51									

SHOP NOTE !
 1. ALL PIPE BENDS, 3 3/16" AT CENTERLINE.
 2. WELD ALL PIPE AND TUBE JOINTS AND GRIND SMOOTH.
 3. ALL STEEL A36 U.N.
 4. PAINT - 1 SHOP COAT

STAIR NO. 2 - AREA A DATE

Rev.	Date	Description	By

IRWIN STEEL
 15740 Highway 114 ~ Justin, Texas 76247
 Phone (817) 636-2508 ~ Fax (817) 636-2506

REF: SE101-SE108

PRINT RECORD					
Date	Quan.	For	Date	Quan.	For
DATE		APPROVAL			
DATE		SHOP			

Job Name:	STANDARD PAN STAIR IN STEEL FRAME
Location:	CITY, TEXAS
Customer:	CONTRACTOR
Architect:	ARCHITECT
DRAWN: THX	JOB NO. 1138
CHECKED: HAL	CAD NO.
	SHEET NO. S120