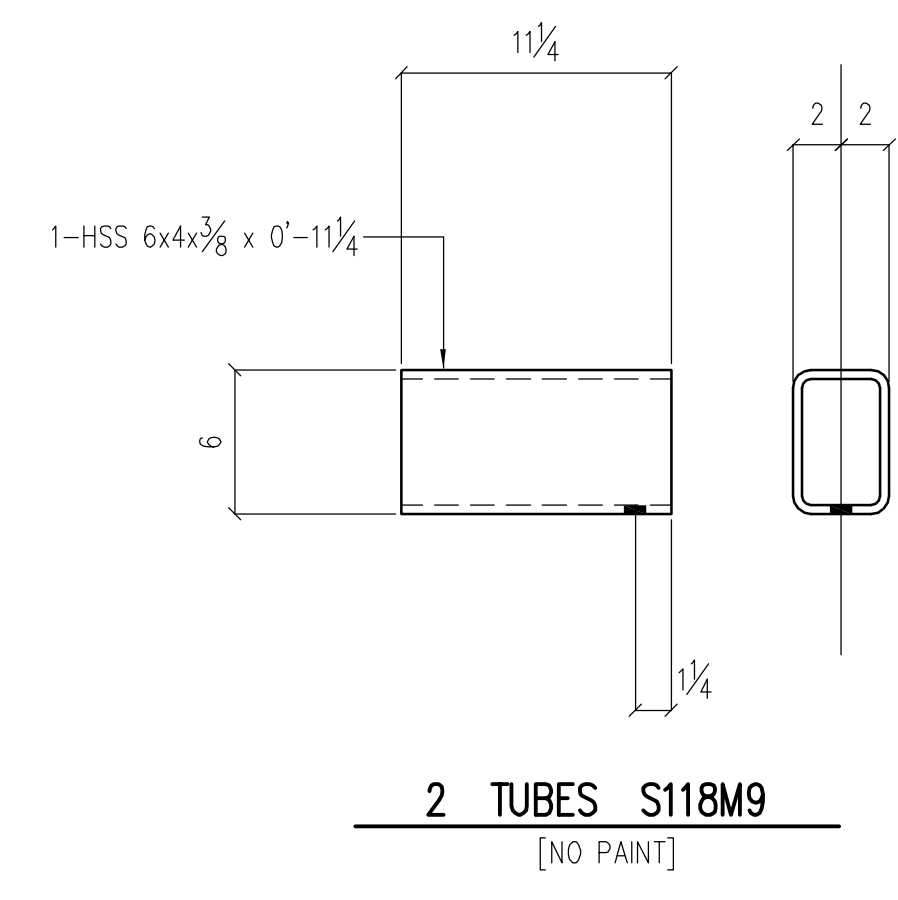
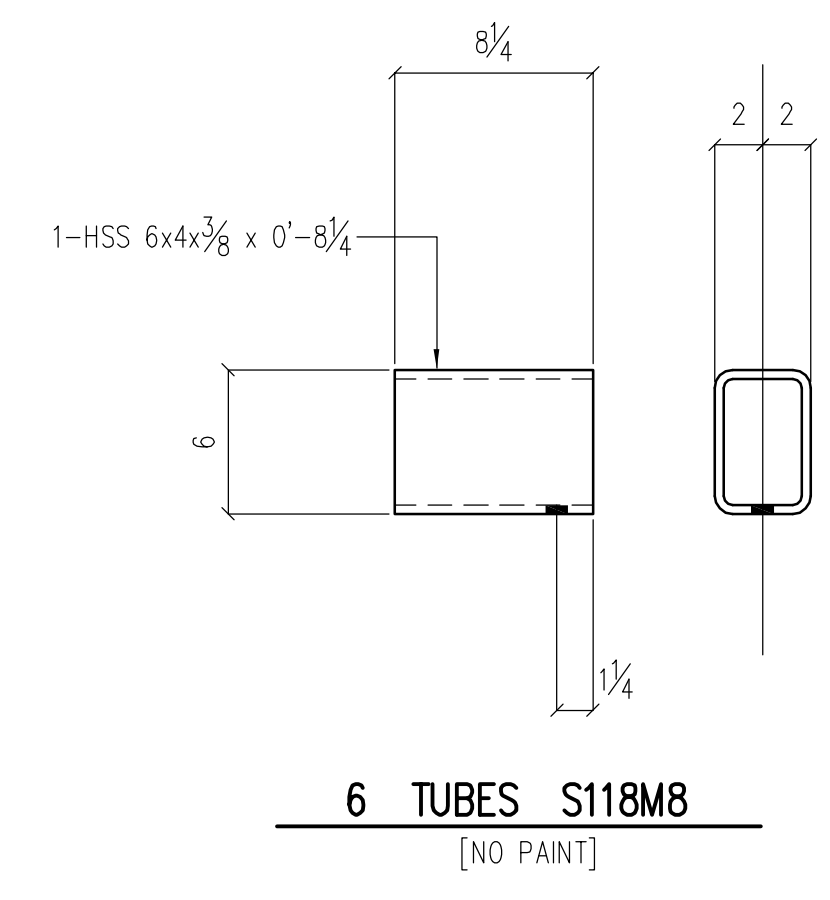
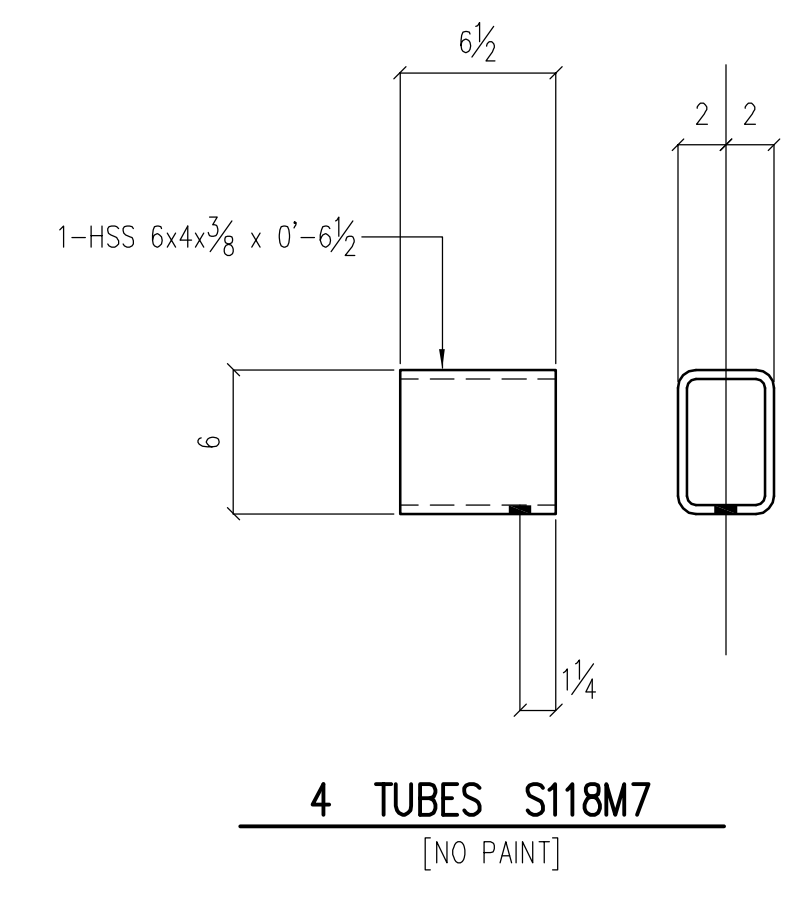


- 2 HANGER RODS S118M1
- 2 HANGER RODS S118M2
- 2 HANGER RODS S118M3
- 2 HANGER RODS S118M4
- 2 HANGER RODS S118M5
- 2 HANGER RODS S118M6



- FIELD BOLT LIST**
- 2 - 3/4" x 5 1/2" HILTI KWIK-BOLTS
 - 74 - 3/4" STD. HEX NUTS (A307)
 - 50 - 3/4" STD. FLAT WASHERS
 - 16 - 3/4" A325 BOLTS x 2"
 - 16 - 3/4" HARD WASHERS

Line	Mark	No.	Tot	Description	Length		Piece Mark	Remarks	Weight	Order Item
					Ft	In				
1	S118M1	2		HANGER RODS						
2		1	2	ROD 3/4"	3	8				
3										
4	S118M2	2		HANGER RODS						
5		1	2	ROD 3/4"	2	8 1/4				
6										
7	S118M3	2		HANGER RODS						
8		1	2	ROD 3/4"	5	6 1/4				
9										
10	S118M4	2		HANGER RODS						
11		1	2	ROD 3/4"	4	6 3/4				
12										
13	S118M5	2		HANGER RODS						
14		1	2	ROD 3/4"	8	5 1/4				
15										
16	S118M6	2		HANGER RODS						
17		1	2	ROD 3/4"	8	7 1/2				
18										
19	S118M7	4		TUBE						
20		1	4	HSS 6x4x3/8	0	6 1/2		A500		
21										
22	S118M8	6		TUBE						
23		1	6	HSS 6x4x3/8	0	8 1/4		A500		
24										
25	S118M9	2		TUBE						
26		1	2	HSS 6x4x3/8	0	11 1/4		A500		
27										
28										
29										
30										
31										
32										
33										
34										
35										
36										
37										
38										
39										
40										
41										
42										
43										
44										
45										
46										
47										
48										
49										
50										
51										

SHOP NOTES
 1. ALL STEEL A36 U.N.
 HOLES: 1 3/16" U.N.O.
 PAINT: 1 SHOP COAT

STAIR NO. 2 - AREA A DATE

Rev.	Date	Description	By

IRWIN STEEL
 15740 Highway 114 ~ Justin, Texas 76247
 Phone (817) 636-2508 ~ Fax (817) 636-2506

REF: SE101-SE108

PRINT RECORD					
Date	Quan.	For	Date	Quan.	For
DATE		APPROVAL			
DATE		SHOP			

Job Name:	STANDARD PAN STAIR IN STEEL FRAME
Location:	CITY, TEXAS
Customer:	CONTRACTOR
Architect:	ARCHITECT
DRAWN: THX	JOB NO: 1138
CHECKED: HAL	CAD NO:
	SHEET NO: S118