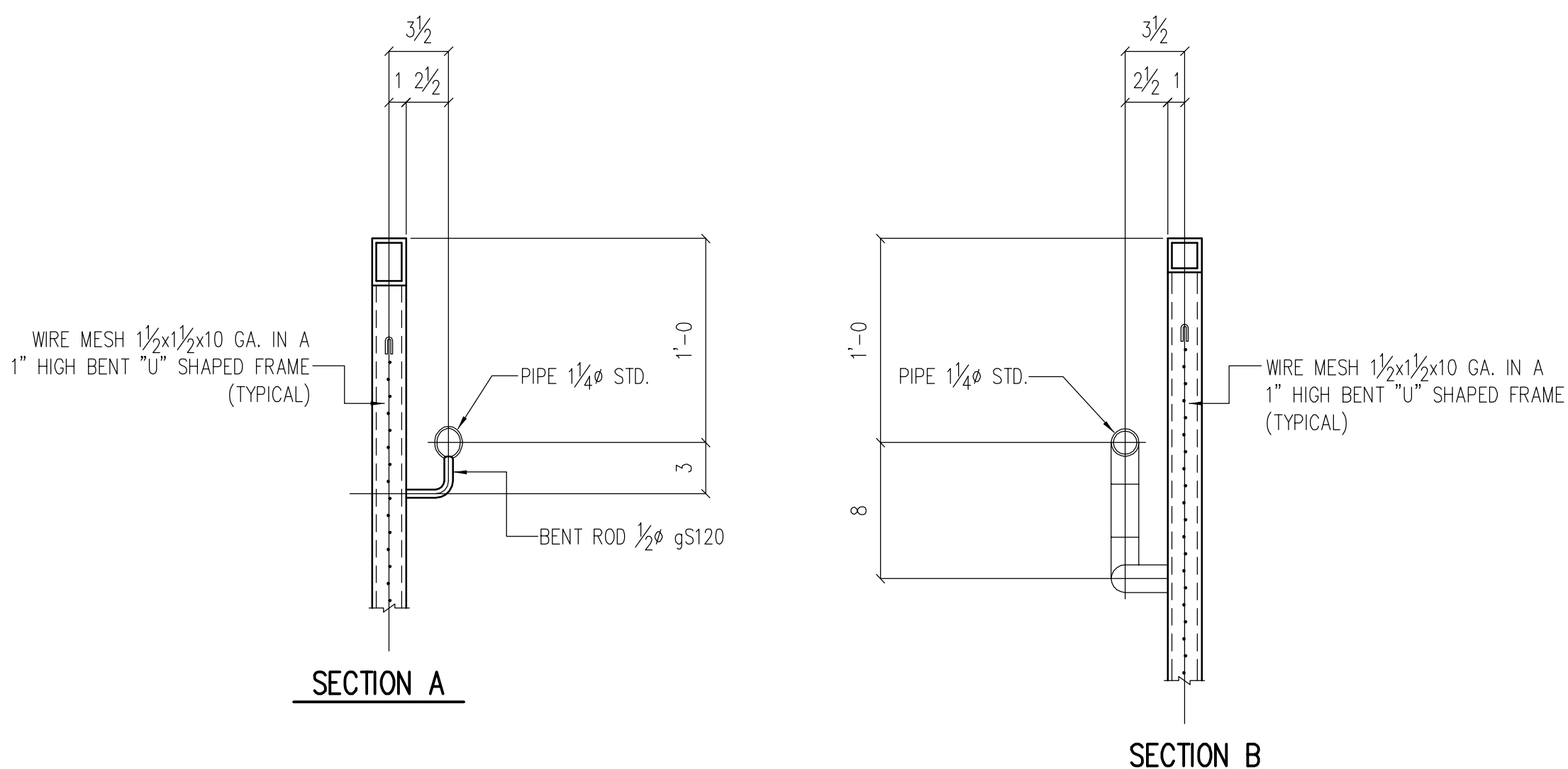


ONE HANDRAIL S124H1



Line	Mark	No.	Tot	Description	Length		Piece Mark	Remarks	Weight	Order Item
					Ft	In				
1	S124H1	1		HANDRAIL						
2		1	1	HSS 2x2x3/16	9	9 15/16	aS124	A500		
3		1	1	HSS 2x2x3/16	0	8 13/16	bS122	A500		
4		2	2	HSS 2x2x3/16	3	8	cS122	A500		
5		1	1	HSS 2x2x3/16	3	8 3/16	dS122	A500		
6		1	1	HSS 2x2x3/16	0	6 1/2	bS124	A500		
7		1	1	PIPE 1/4 STD.	12	LN. FL.		A53B		
8		1	1	BENT ROD 1/2	0	4 5/8 ±	gS120			
9		1	1	BENT ROD 1/2	0	4 1/8 ±	dS121			
10		8	8	FL 1/4x2 1/2	0	3	hS120			
11		3	3	R & B WAGNER NO. 4434-S 1 1/8\"/>						
12		1	1	WIRE MESH PANEL			S122P1			
13		1	1	WIRE MESH PANEL			S124P1			
14										
15										
16										
17										
18										
19										
20										
21										
22										
23										
24										
25										
26										
27										
28										
29										
30										
31										
32										
33										
34										
35										
36										
37										
38										
39										
40										
41										
42										
43										
44										
45										
46										
47										
48										
49										
50										
51										

SHOP NOTE !
 1. ALL PIPE BENDS, 3/16" AT CENTERLINE.
 2. WELD ALL PIPE AND TUBE JOINTS AND GRIND SMOOTH.
 3. ALL STEEL A36 U.N.
 4. PAINT - 1 SHOP COAT

STAIR NO. 2 - AREA A DATE

Rev.	Date	Description	By

IRWIN STEEL
 15740 Highway 114 ~ Justin, Texas 76247
 Phone (817) 636-2508 ~ Fax (817) 636-2506

REF: SE101-SE108

PRINT RECORD					
Date	Quan.	For	Date	Quan.	For
DATE		APPROVAL			
DATE		SHOP			

Job Name:	STANDARD PAN STAIR IN STEEL FRAME
Location:	CITY, TEXAS
Customer:	CONTRACTOR
Architect:	ARCHITECT
DRAWN:	THX
CHECKED:	HAL
JOB NO.:	1138
CAD NO.:	
SHEET NO.:	S124