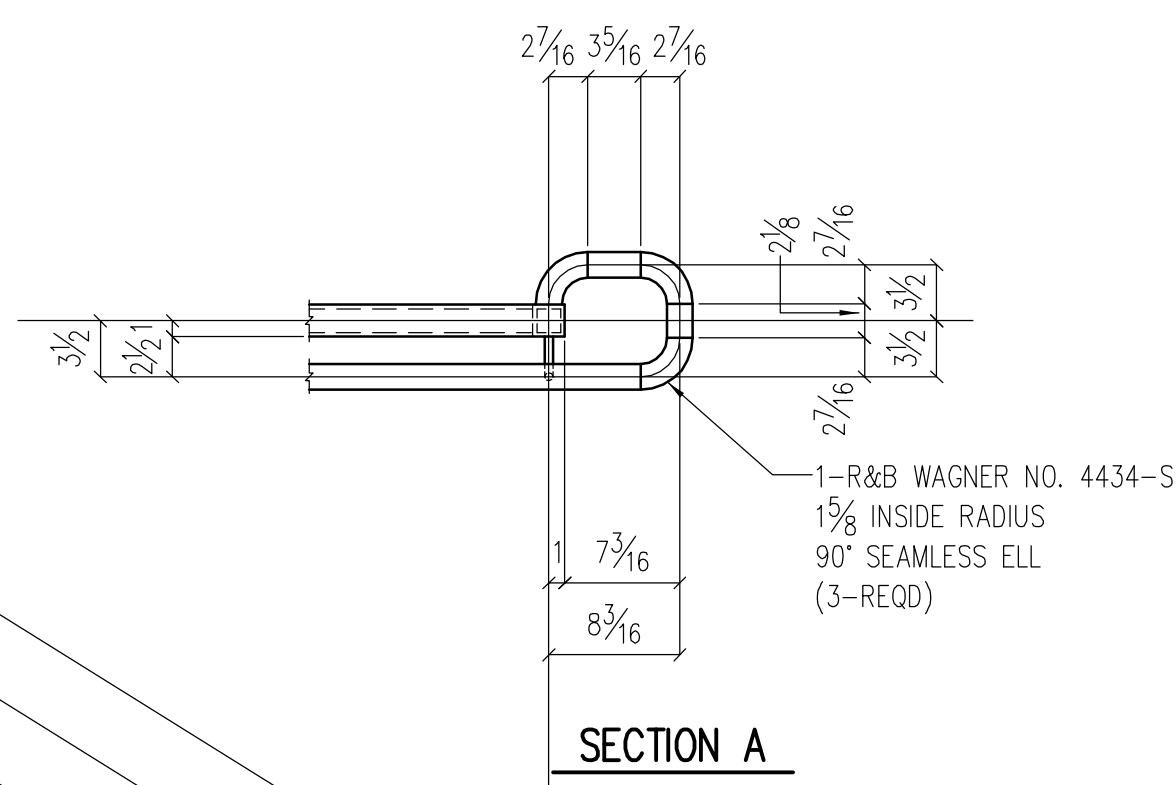
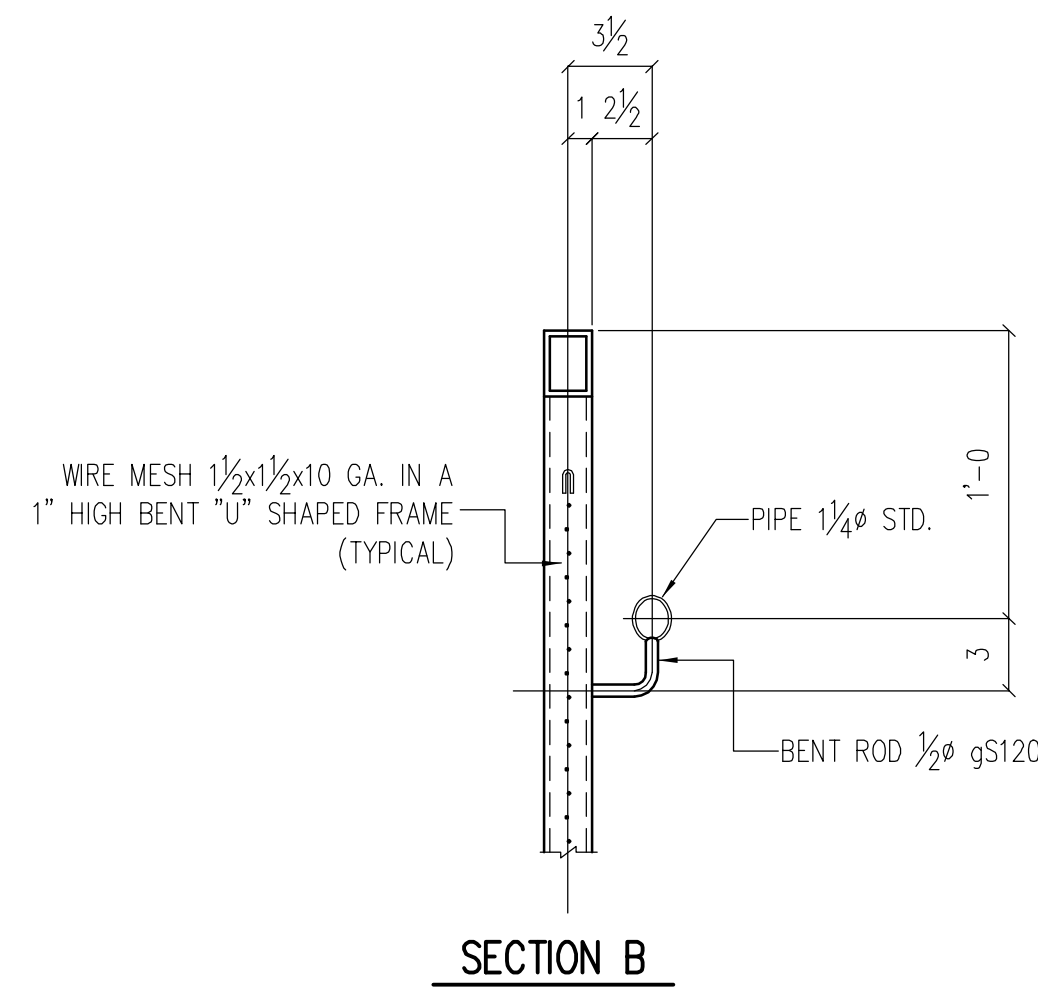


ONE HANDRAIL S120H1



| Line | Mark   | No. | Tot | Description  | Length<br>Ft | Piece<br>Mark | Remarks | Weight   | Order<br>Item |
|------|--------|-----|-----|--|--------------|---------------|---------|----------|---------------|
| 1    | S120H1 | 1   |     | HANDRAIL   |              |               |         |          |               |
| 2    |        | 1   | 1   | HSS 2x2x3/16   | 12           | 11 5/16       | aS120   | A500     |               |
| 3    |        | 1   | 1   | HSS 2x2x3/16   | 3            | 9 5/8         | bS120   | A500     |               |
| 4    |        | 2   | 2   | HSS 2x2x3/16   | 3            | 8 9/16        | cS120   | A500     |               |
| 5    |        | 1   | 1   | HSS 2x2x3/16   | 3            | 8 1/16        | dS120   | A500     |               |
| 6    |        | 1   | 1   | HSS 2x2x3/16   | 0            | 4 1/2         | fS120   | A500     |               |
| 7    |        | 1   | 1   | PIPE 1 1/4 STD.  | 15           | LN. FL.       |         | A53B     |               |
| 8    |        | 4   | 4   | BENT ROD 1/2   | 0            | 4 3/8 ±       | gS120   |          |               |
| 9    |        | 12  | 12  | FL 1/4x2 1/2   | 0            | 3             | hS120   |          |               |
| 10   |        | 3   | 3   | R & B WAGNER NO. 4434-S<br>1 5/8" INSIDE RAD., 90° ELL |              |               |         | SEAMLESS |               |
| 11   |        | 2   | 2   | WIRE MESH PANEL  |              |               | S120P1  |          |               |
| 12   |        | 1   | 1   | WIRE MESH PANEL  |              |               | S120P2  |          |               |
| 13   |        |     |     |  |              |               |         |          |               |
| 14   |        |     |     |  |              |               |         |          |               |
| 15   |        |     |     |  |              |               |         |          |               |
| 16   |        |     |     |  |              |               |         |          |               |
| 17   |        |     |     |  |              |               |         |          |               |
| 18   |        |     |     |  |              |               |         |          |               |
| 19   |        |     |     |  |              |               |         |          |               |
| 20   |        |     |     |  |              |               |         |          |               |
| 21   |        |     |     |  |              |               |         |          |               |
| 22   |        |     |     |  |              |               |         |          |               |
| 23   |        |     |     |  |              |               |         |          |               |
| 24   |        |     |     |  |              |               |         |          |               |
| 25   |        |     |     |  |              |               |         |          |               |
| 26   |        |     |     |  |              |               |         |          |               |
| 27   |        |     |     |  |              |               |         |          |               |
| 28   |        |     |     |  |              |               |         |          |               |
| 29   |        |     |     |  |              |               |         |          |               |
| 30   |        |     |     |  |              |               |         |          |               |
| 31   |        |     |     |  |              |               |         |          |               |
| 32   |        |     |     |  |              |               |         |          |               |
| 33   |        |     |     |  |              |               |         |          |               |
| 34   |        |     |     |  |              |               |         |          |               |
| 35   |        |     |     |  |              |               |         |          |               |
| 36   |        |     |     |  |              |               |         |          |               |
| 37   |        |     |     |  |              |               |         |          |               |
| 38   |        |     |     |  |              |               |         |          |               |
| 39   |        |     |     |  |              |               |         |          |               |
| 40   |        |     |     |  |              |               |         |          |               |
| 41   |        |     |     |  |              |               |         |          |               |
| 42   |        |     |     |  |              |               |         |          |               |
| 43   |        |     |     |  |              |               |         |          |               |
| 44   |        |     |     |  |              |               |         |          |               |
| 45   |        |     |     |  |              |               |         |          |               |
| 46   |        |     |     |  |              |               |         |          |               |
| 47   |        |     |     |  |              |               |         |          |               |
| 48   |        |     |     |  |              |               |         |          |               |
| 49   |        |     |     |  |              |               |         |          |               |
| 50   |        |     |     |  |              |               |         |          |               |
| 51   |        |     |     |  |              |               |         |          |               |

**SHOP NOTE !**  
 1. ALL PIPE BENDS, 3 3/16" AT CENTERLINE.  
 2. WELD ALL PIPE AND TUBE JOINTS AND GRIND SMOOTH.  
 3. ALL STEEL A36 U.N.  
 4. PAINT - 1 SHOP COAT

STAIR NO. 2 - AREA A DATE

| Rev. | Date | Description | By |
|------|------|-------------|----|
|      |      |             |    |

**IRWIN STEEL**  
 15740 Highway 114 ~ Justin, Texas 76247  
 Phone (817) 636-2508 ~ Fax (817) 636-2506

REF: SE101-SE108

| PRINT RECORD |       |          |      |       |     |
|--------------|-------|----------|------|-------|-----|
| Date         | Quan. | For      | Date | Quan. | For |
| DATE         |       | APPROVAL |      |       |     |
| DATE         |       | SHOP     |      |       |     |

|              |                                   |           |
|--------------|-----------------------------------|-----------|
| Job Name:    | STANDARD PAN STAIR IN STEEL FRAME |           |
| Location:    | CITY, TEXAS                       |           |
| Customer:    | CONTRACTOR                        |           |
| Architect:   | ARCHITECT                         |           |
| DRAWN: THX   | JOB NO. 1138                      | SHEET NO. |
| CHECKED: HAL | CAD NO.                           | S120      |