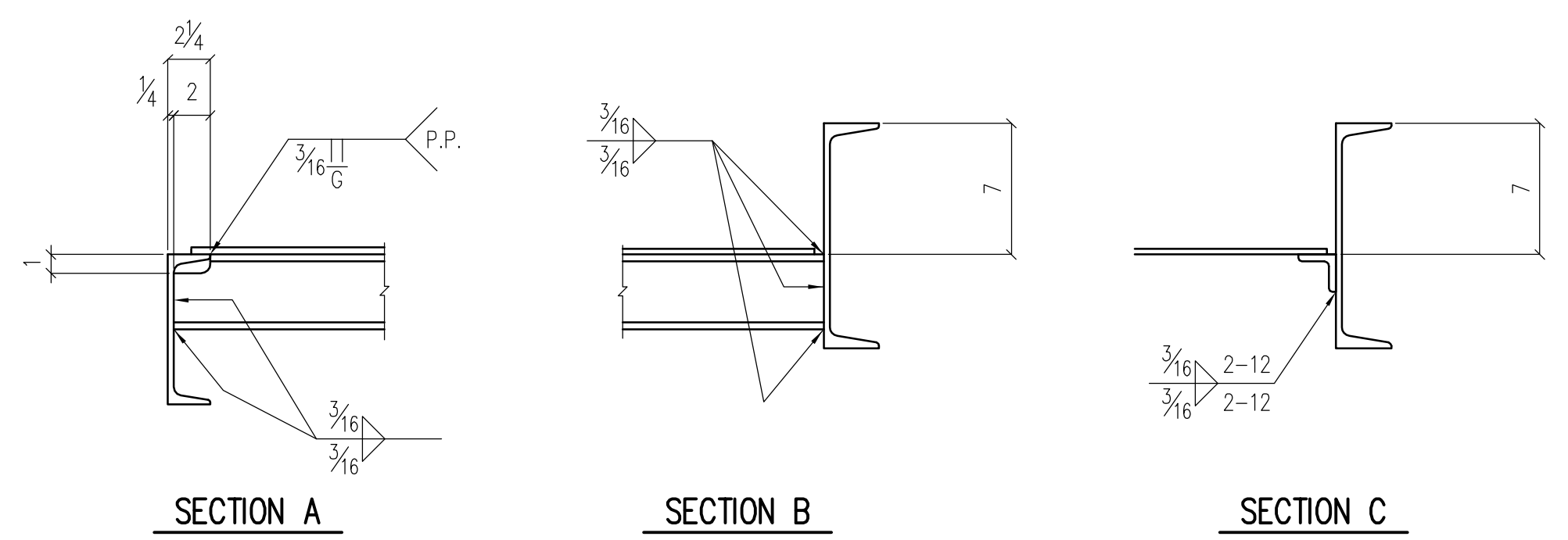


2 PLATFORMS S116M1



Line	Mark	No.	Tot	Description	Length		Piece Mark	Remarks	Weight	Order Item
					Ft	In				
1	S116M1	2		PLATFORMS						
2		1	2	C 8x11.5	8	0	oS116			
3		1	2	C 12x20.7	8	0	bS116			
4		2	4	C 12x20.7	4	5 3/4	cS116			
5		3	6	C 4x5.4	4	2 3/4	dS116			
6		4	8	HSS 6x4x3/8	0	6 1/16	kS113	A500		
7		2	4	L 2x2x1/4	3	9 1/2	eS116			
8		1	2	L 2x2x1/4	1	11	fS116			
9		3	6	L 2x2x1/4	1	9 1/2	gS116			
10		1	2	PL 10 GA. x 49 1/4	7	11 1/2	hS116			
11										
12										
13										
14										
15										
16										
17										
18										
19										
20										
21										
22										
23										
24										
25										
26										
27										
28										
29										
30										
31										
32										
33										
34										
35										
36										
37										
38										
39										
40										
41										
42										
43										
44										
45										
46										
47										
48										
49										
50										
51										

SHOP NOTES
 1. ALL STEEL A36 U.N.
 HOLES: 1 3/16" U.N.O.
 PAINT: 1 SHOP COAT

STAIR NO. 2 - AREA A

Rev.	Date	Description	By

IRWIN STEEL
 15740 Highway 114 ~ Justin, Texas 76247
 Phone (817) 636-2508 ~ Fax (817) 636-2506

REF: SE101-SE108

Date	Quan.	For	Date	Quan.	For
DATE		APPROVAL			
DATE		SHOP			

Job Name: STANDARD PAN STAIR IN STEEL FRAME
 Location: CITY, TEXAS
 Customer: CONTRACTOR
 Architect: ARCHITECT

DRAWN: THX JOB NO: 1138 SHEET NO: S116
 CHECKED: HAL CAD NO: