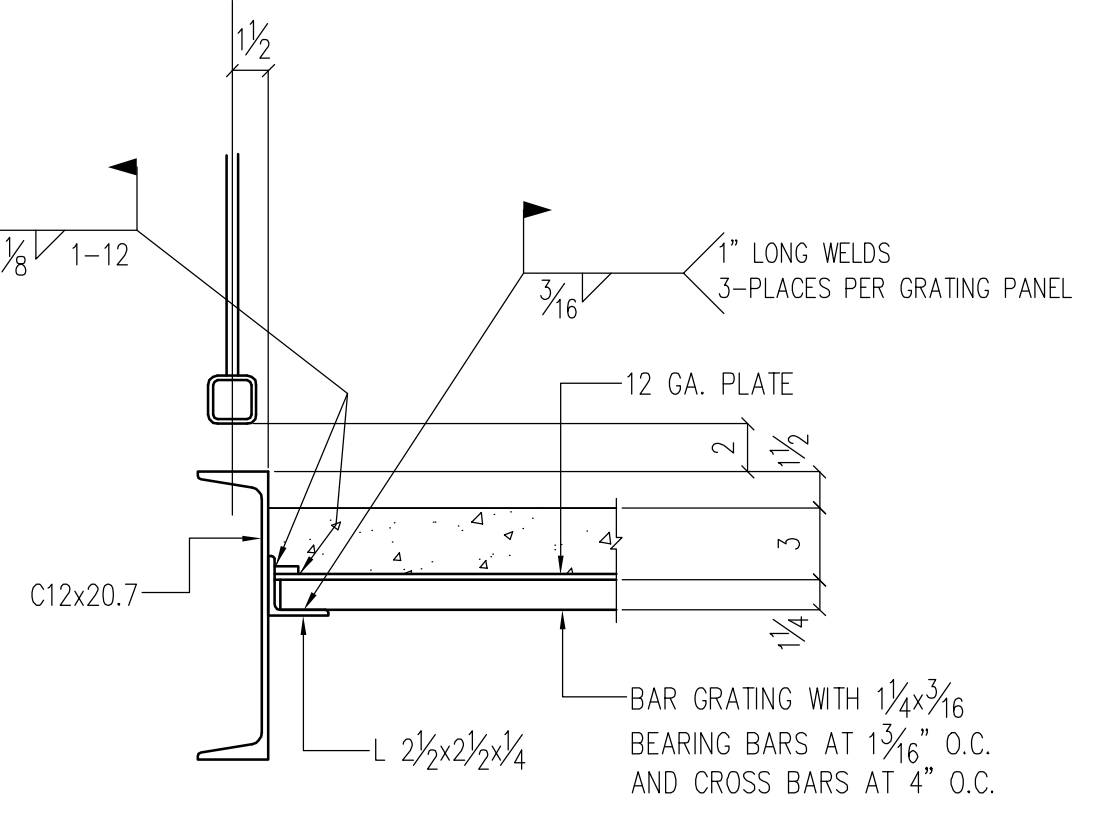
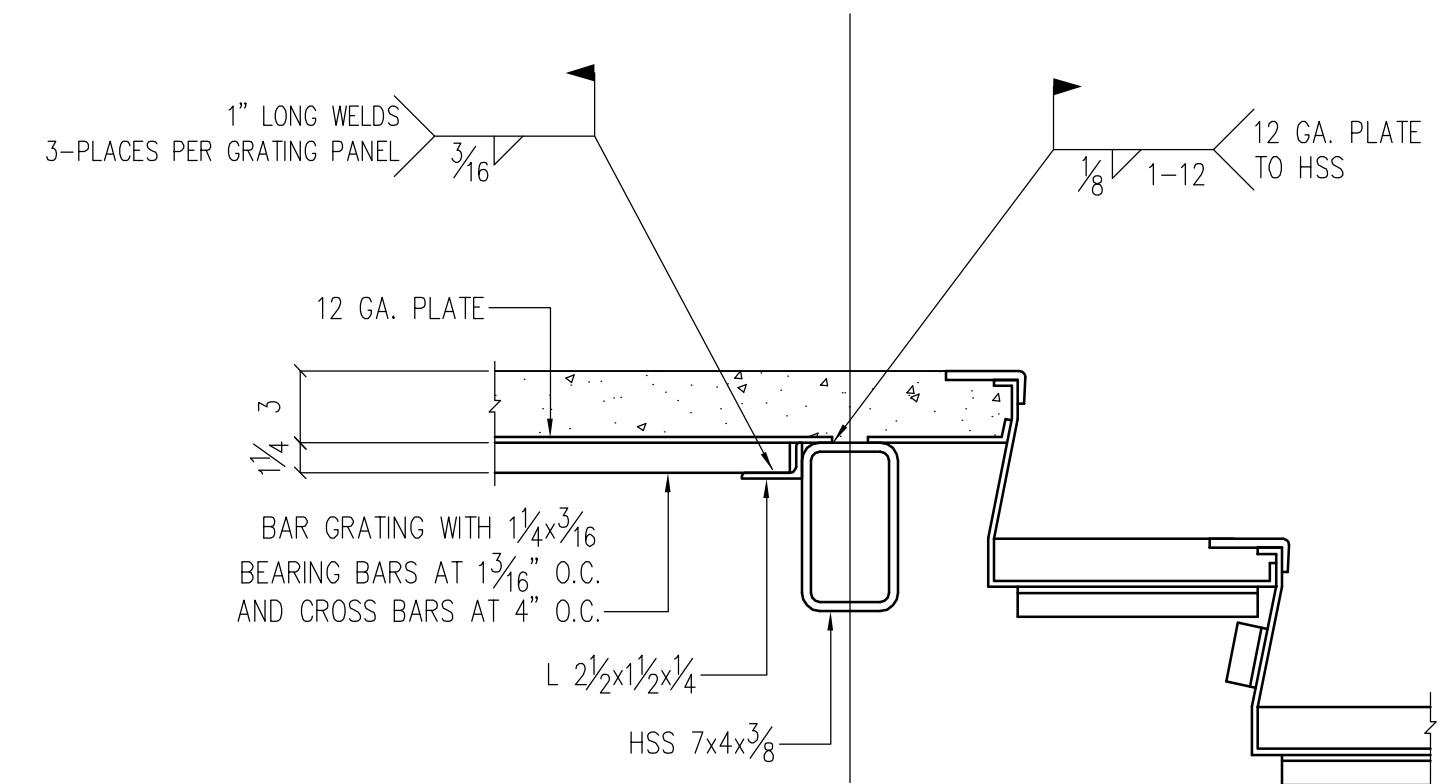


SECTION A/SE114 (AS SHOWN)
[SE110, SE111]
SECTION B/SE114 (OPP. HAND)
[SE110, SE111]

12 GA. PLATE TO L 2 1/2x2 1/2x1/4
USE FLAT 1/4x1 MK S151M2 (FIELD CUT TO LENGTH)
IF REQUIRED TO MAKE TIGHT JOINT WELD TO ANGLE AND PLATE



DETAIL-SECTION C/SE114
[SE110, SE111]



SECTION D/SE114
[SE110, SE111]

STAIR NOTES
STRINGERS = C12x20.7
HEADERS = HSS 7x4x3/8
TREADS = 12 GA. PL W/ 2" FILL (TYP)
LANDINGS = 12 GA. PL W/ 3" FILL
ON 1/4x3/16 BAR GRATING
GUARDRAILS = HSS 2x2x3/16 WITH
BAR PICKETS 1/2x1/2 AT 4" O.C. MAX.
HANDRAILS = PIPE 1 1/4" STD.

DESIGN REF: A-700, A-702
ERECTION DWG. REF: SE110, SE111, SE112, SE113, SE115, SE116, SE117

PRINT RECORD

Date	Quan.	For	Date	Quan.	For
DATE		APPROVAL			
DATE		APPROVAL			

STAIR NO. C02

Rev.	Date	Description	By

IRWIN STEEL
15740 Highway 114 ~ Justin, Texas 76247
Phone (817) 636-2508 ~ Fax (817) 636-2506

Job Name: CUSTOM PAN STAIR IN STEEL FRAME
Location: CITY, TEXAS
Customer: CONTRACTOR
Architect: ARCHITECT

DRAWN: THX
CHECKED: HAL

JOB NO: 1138
CAD NO:

DATE A
SHEET NO: SE114